

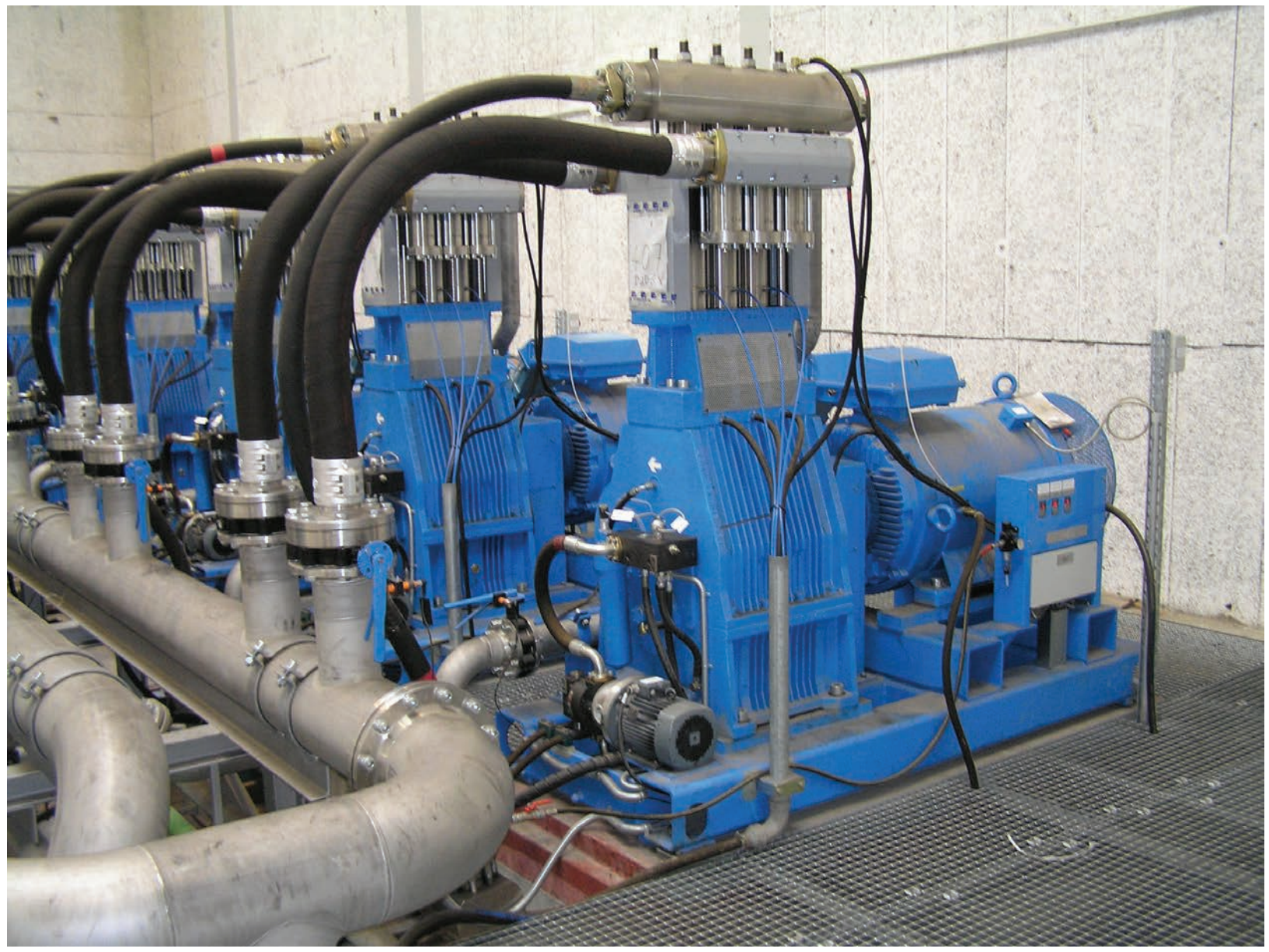
# HERMETIK

## HIGH-PRESSURE WATER PUMPS

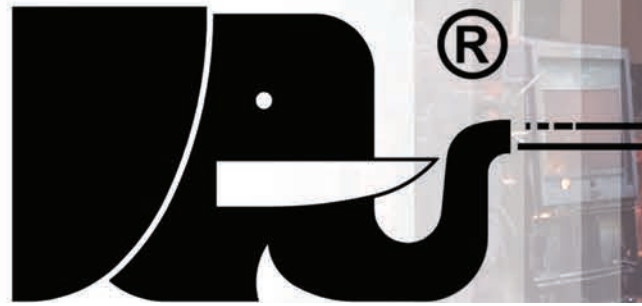
FOR NON-STOP OPERATING TIME

THE MOST POWERFULL LONG-LIFE HIGH-PRESSURE PUMPS

EASY LOW-COST MAINTENANCE





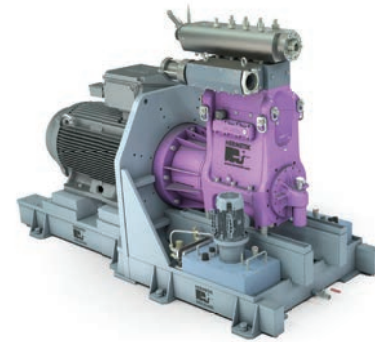


All HERMETIK pumps are suitable for the steel-industry

## CONTENT

INTRODUCTION .....	pg. 04/05
PUMP HJJ100 .....	pg. 06/07
PUMP HJJ213 .....	pg. 08/09
PUMP HJJ200 .....	pg. 10/11
PUMP HJJ300 .....	pg. 12/13
PUMP HJJ500 .....	pg. 14/15
PUMP HJJ700 .....	pg. 16/17
PUMP HJJ900 .....	pg. 18/19
INSPECTION AND SERVICE .....	pg. 20/21
HIGH-PRESSURE PUMP .....	pg. 22/23
THE GEARBOX AND THE CRANKCASE .....	pg. 24/25
THE PUMP-HEAD .....	pg. 26
PULSATION GRADIENTS .....	pg. 27
THE CHANGE OF THE PUMP HEAD .....	pg. 28/29
INDUSTRY SECTORS .....	pg. 30/31

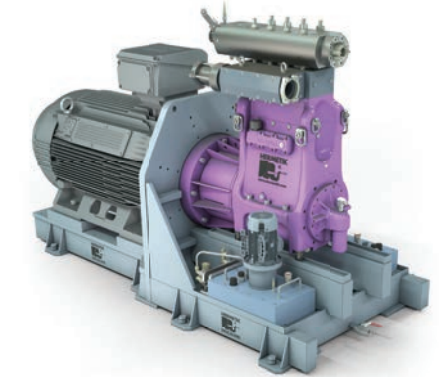
“ The plunger pumps with replaceable pump heads ”



High-pressure pump: **HJJ 100**  
 Plunger: 3 Pieces  
 Power: 175 kW  
 Flow: <270 L/Min  
 Pressure: <3000 bar  
 Weight: 1600 Kg



High-pressure pump: **HJJ 213**  
 Plunger count: 3 Pieces  
 Power: 180 kW  
 Flow: <335 L/Min  
 Pressure: <3000 bar  
 Weight: 1900 Kg

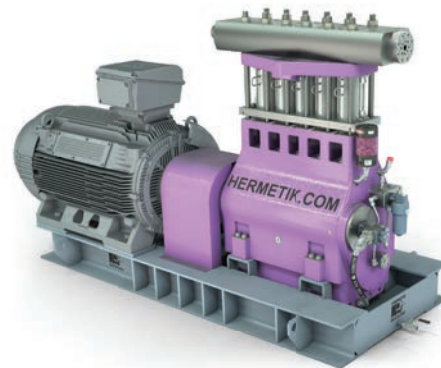


High-pressure pump: **HJJ 200**  
 Plunger count: 3 Pieces  
 Power: 250 kW  
 Flow: <530 L/Min  
 Pressure: <3000 bar  
 Weight: 1750 Kg

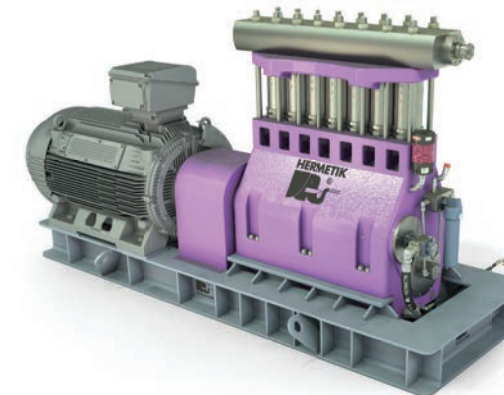
“ High-Pressure pump heavy duty design ”



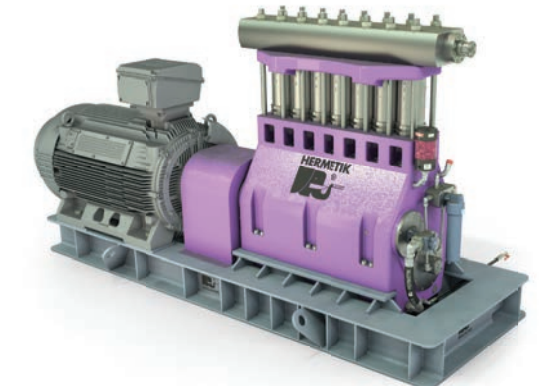
High-pressure pump: **HJJ 300**  
 Plunger count: 3 Pieces  
 Power: 550 kW  
 Flow: <1200 L/Min  
 Pressure: <3000 bar  
 Weight: 5600 Kg



High-pressure pump: **HJJ 500**  
 Plunger count: 5 Pieces  
 Power: 850 kW  
 Flow: <2000 L/Min  
 Pressure: <3000 bar  
 Weight: 11200 Kg

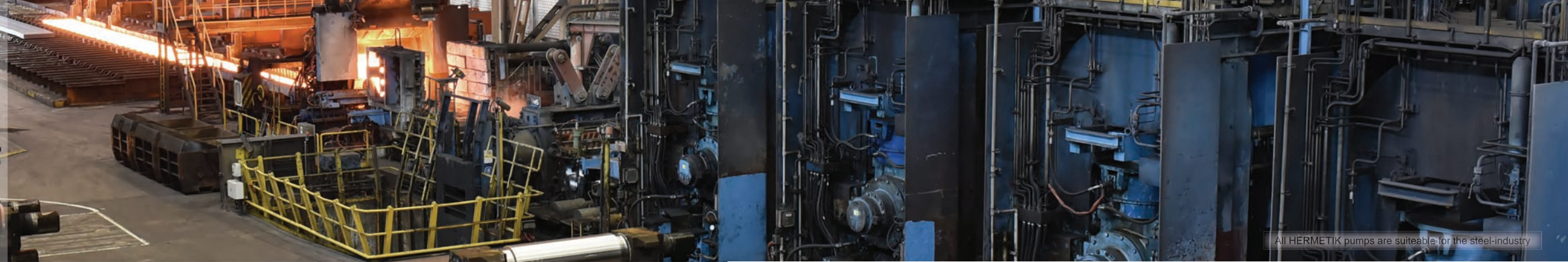
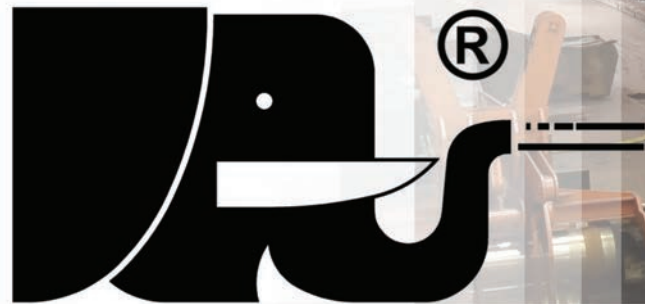


High-pressure pump: **HJJ 700**  
 Plunger count: 7 Pieces  
 Power: 1400 kW  
 Flow: <2800 L/Min  
 Pressure: <3000 bar  
 Weight: 12700 Kg



High-pressure pump: **HJJ 900**  
 Plunger count: 7 Pieces  
 Power: 1900 kW  
 Flow: <3300 L/Min  
 Pressure: <3000 bar  
 Weight: 12700 Kg





All HERMETIK pumps are suitable for the steel-industry

## THE HERMETIK JET JUMBO (HJJ) HIGH-PRESSURE PUMP - NEW STATE OF ART

The new third generation high pressure pumps HJJ100; HJJ200; HJJ300; HJJ500; HJJ700; HJJ900 are designed and manufactured in Germany.

HERMETIK high-pressure plunger pumps for water combine super high performance with hand-crafted precision and state-of-the-art technology. A combination that let arise the most exquisite Jet Jumbo plunger pump as positive displacement of high-pressure water.

HERMETIK has been setting highest standards for high-performance positive displacement pumps for more than 40 years.

The new, third generation of the Jet Jumbo water pump series precisely sums up achievements in design and engineering. Performance and durability are a milestone in the history of the HERMETIK JET JUMBO brand.

At the heart of the new HERMETIK Jet Jumbo high-pressure water pumps is a completely reworked version of the proven HERMETIK JUMBO series with flow rates of 160 to 2500 liter per minute and 300 MPa. The process pumps (life time 50 years) are equipped with a gear reduction and for the first time the environmental and economic series are direct powered and keep the motor revolutions. The short stroke is allowing a lower plunger speeds and efficient valve performance.



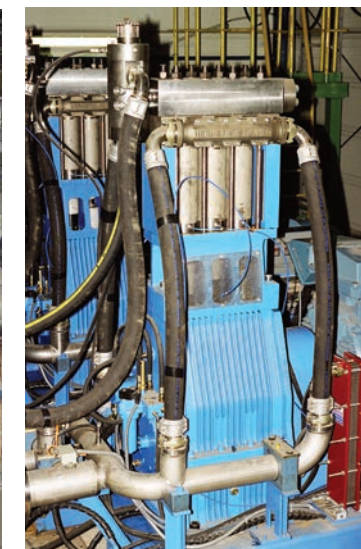
HERMETIK high-pressure pump room with 3 pumps



HERMETIK high-pressure pump room with 14 pumps



HERMETIK hp-pump, 30 years on heavy duty >6000 hours per year



hp-pumps, 1240kW installed power



HERMETIK hp-pumps, all spares on stock

“These model series lifts performance to a higher level, at an unlimited low price”



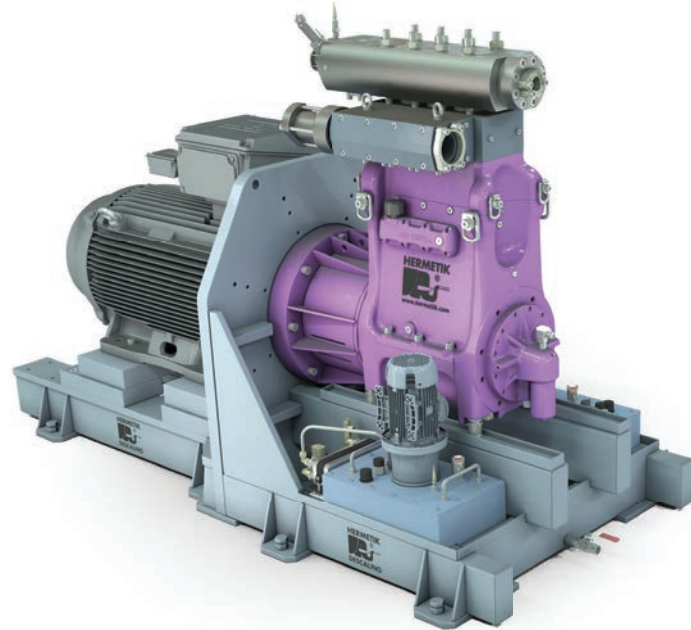


All HERMETIK pumps are suitable for the maritime industry

# HJJ100

## HIGH-PRESSURE PUMP

- Plunger: 3 pieces
- Power: 175 kW
- Flow: <270 L/Min
- Pressure: <3000 bar
- Stroke: 23 - 28 mm
- Rod force: <240 N
- Plunger speed: from 0,69 to 1,40 m/s
- Pump unit weight: 1600 Kg



### HJJ 100 - PRESSURE TABLE E - MOTOR 50 Hz

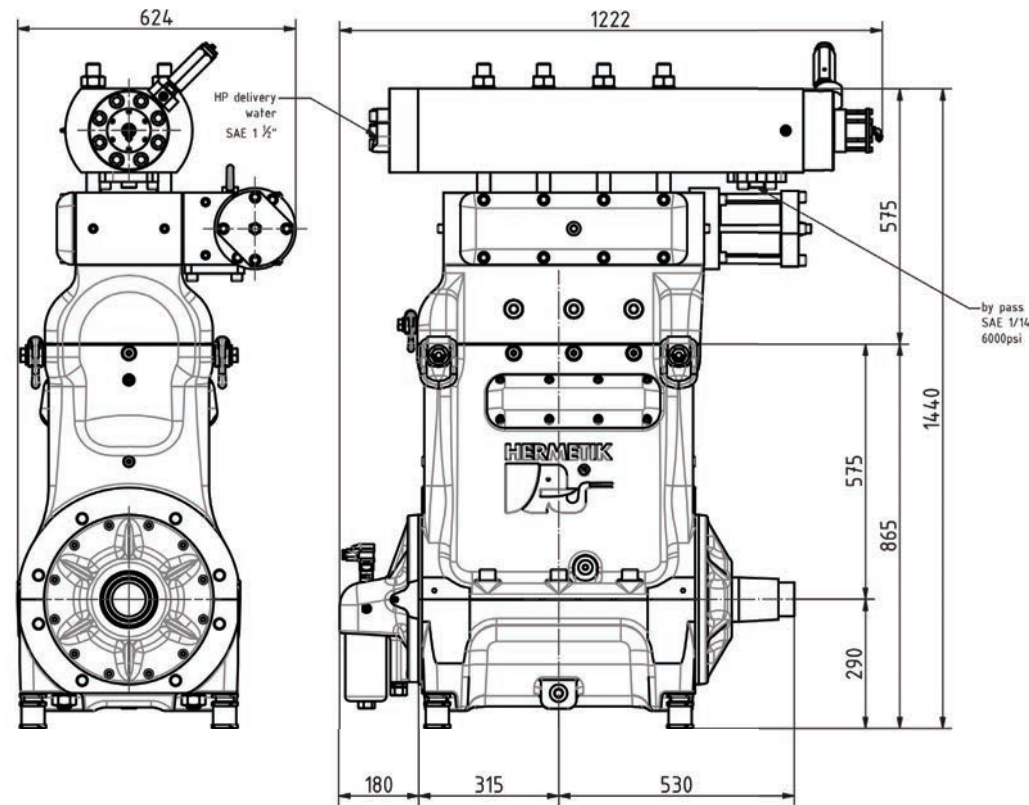
Flow at 1500 RPM	REQUIRED POWER				
	75 kW	100 kW	125 kW	150 kW	175 kW
30 L/min 8 US gpm	1330 bar 19289 psi	1774 bar 25719 psi	2217 bar 32149 psi	2661 bar 38578 psi	3104 bar 45008 psi
38 L/min 10 US gpm	1078 bar 15624 psi	1437 bar 20832 psi	1796 bar 26040 psi	2155 bar 31249 psi	2514 bar 36457 psi
64 L/min 17 US gpm	638 bar 9245 psi	850 bar 12327 psi	1063 bar 15409 psi	1275 bar 18490 psi	1488 bar 21572 psi
96 L/min 25 US gpm	421 bar 6103 psi	561 bar 8138 psi	702 bar 10172 psi	842 bar 12206 psi	982 bar 14241 psi
150 L/min 40 US gpm	269 bar 3906 psi	359 bar 5208 psi	449 bar 6510 psi	539 bar 7812 psi	629 bar 9114 psi
199 L/min 52 US gpm	204 bar 2954 psi	272 bar 3938 psi	339 bar 4923 psi	407 bar 5907 psi	475 bar 6892 psi
235 L/min 62 US gpm	172 bar 2500 psi	230 bar 3333 psi	287 bar 4166 psi	345 bar 5000 psi	402 bar 5833 psi
274 L/min 72 US gpm	148 bar 2143 psi	197 bar 2858 psi	246 bar 3572 psi	296 bar 4286 psi	345 bar 5001 psi

### 1500 RPM

Design pressure bar / psi	Plunger Ø mm
3145 45608	18
2548 36943	20
1508 21860	26
995 14431	32
637 9236	40
482 6983	46
408 5911	50
349 5068	54

Selection of 4 pump heads with different pressure ratings

### DIMENSIONS HJJ100



Pump weight: 450 Kg

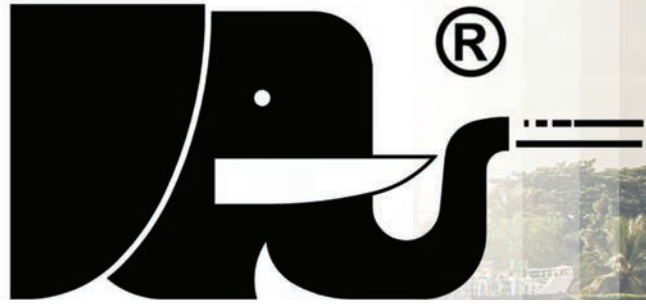
### HJJ 100 - PRESSURE TABLE E - MOTOR 60 Hz / DIESEL 1800 RPM

Flow at 1800 RPM	REQUIRED POWER				
	75 kW	100 kW	125 kW	150 kW	175 kW
30 L/min 8 US gpm	1350 bar 19569 psi	1799 bar 26092 psi	2249 bar 32615 psi	2699 bar 39138 psi	3149 bar 45660 psi
37 L/min 10 US gpm	1093 bar 15851 psi	1458 bar 21134 psi	1822 bar 26418 psi	2186 bar 31701 psi	2551 bar 36985 psi
63 L/min 16 US gpm	647 bar 9379 psi	862 bar 12505 psi	1078 bar 15632 psi	1294 bar 18758 psi	1509 bar 21885 psi
95 L/min 25 US gpm	427 bar 6192 psi	569 bar 8256 psi	712 bar 10319 psi	854 bar 12383 psi	996 bar 14447 psi
148 L/min 39 US gpm	273 bar 3963 psi	364 bar 5284 psi	455 bar 6604 psi	547 bar 7925 psi	638 bar 9246 psi
196 L/min 52 US gpm	207 bar 2996 psi	276 bar 3995 psi	344 bar 4994 psi	413 bar 5993 psi	482 bar 6991 psi
232 L/min 61 US gpm	175 bar 2536 psi	233 bar 3381 psi	292 bar 4227 psi	350 bar 5072 psi	408 bar 5918 psi
270 L/min 71 US gpm	150 bar 2174 psi	200 bar 2899 psi	250 bar 3624 psi	300 bar 4349 psi	350 bar 5073 psi

Design pressure bar / psi	Plunger Ø mm
3145 45608	18
2548 36943	20
1508 21860	26
995 14431	32
637 9236	40
482 6983	46
408 5911	50
349 5068	54

Selection of 4 pump heads with different pressure ratings

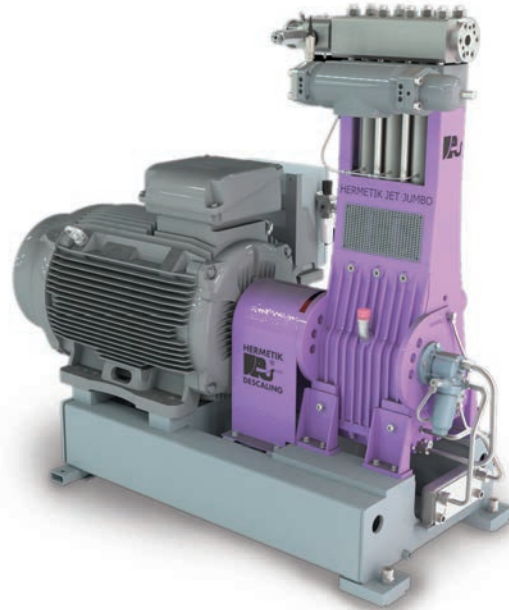




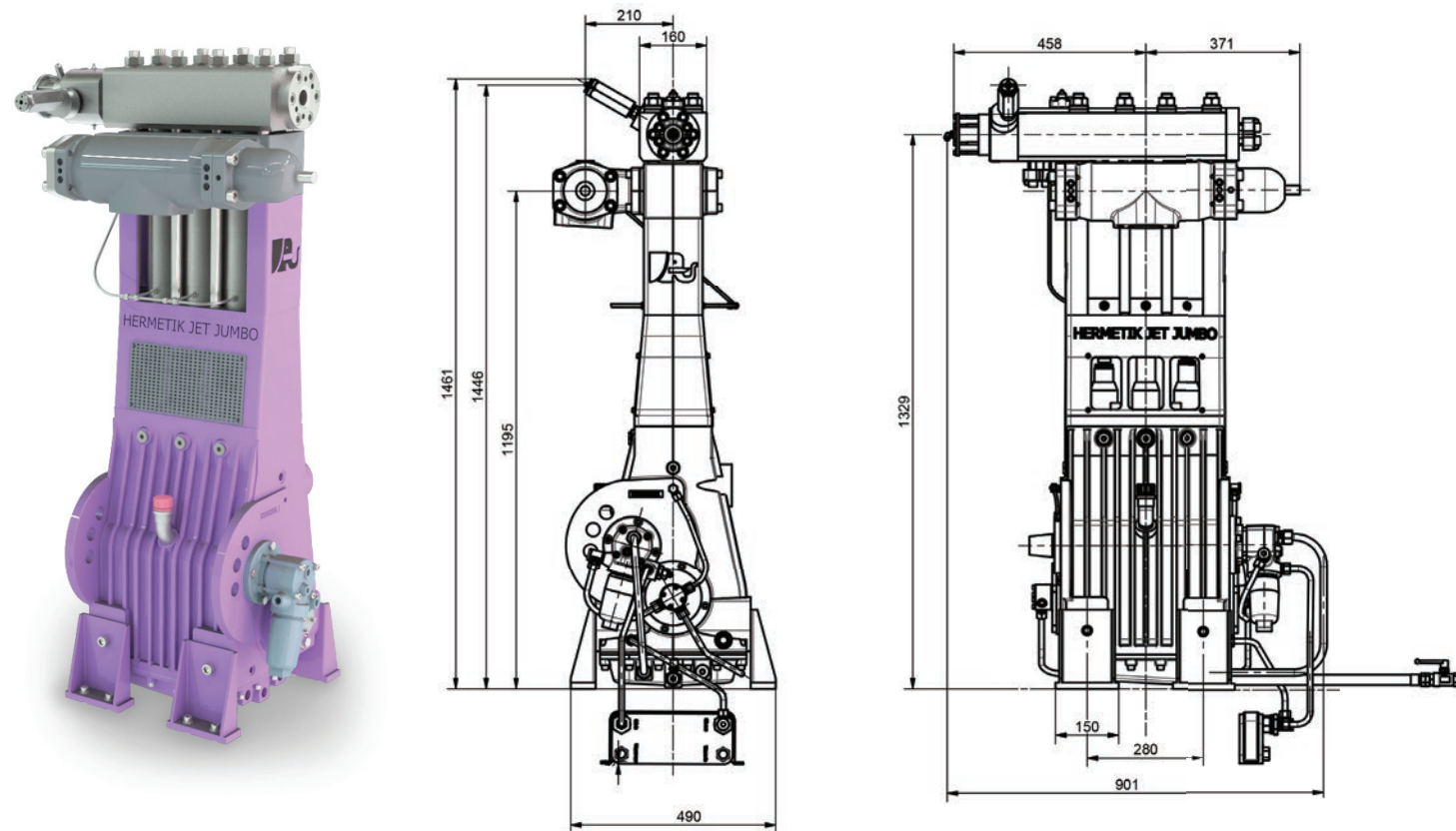
# HJJ213

## HIGH-PRESSURE PUMP

- Plunger: 3 pieces
- Power: 180 kW
- Flow: <335 L/Min
- Pressure: <3000 bar
- Stroke: 76 - 88 mm
- Rod force: <240 N
- Plunger speed: from 0,82 to 1,71 m/s
- Pump unit weight: 1900 Kg



### DIMENSIONS HJJ213



Pump weight: 600 Kg

### HJJ 213 - PRESSURE TABLE E - MOTOR 50 Hz 1500 RPM

Flow at 562 RPM	REQUIRED POWER						Design pressure bar / psi	Plunger Ø mm
	80 kW	100 kW	120 kW	140 kW	160 kW	180 kW		
28 L/min 7 US gpm	1524 bar 22098 psi	1905 bar 27622 psi	2286 bar 33146 psi	2667 bar 38671 psi	3048 bar 44195 psi	3429 bar 49720 psi	3234 46900	16
44 L/min 12 US gpm	975 bar 14143 psi	1219 bar 17678 psi	1463 bar 21214 psi	1707 bar 24749 psi	1951 bar 28285 psi	2195 bar 31821 psi	2070 30016	20
75 L/min 20 US gpm	577 bar 8368 psi	721 bar 10460 psi	866 bar 12553 psi	1010 bar 14645 psi	1154 bar 16737 psi	1299 bar 18829 psi	1225 17761	26
113 L/min 30 US gpm	381 bar 5524 psi	476 bar 6906 psi	571 bar 8287 psi	667 bar 9668 psi	762 bar 11049 psi	857 bar 12430 psi	809 11725	32
177 L/min 47 US gpm	244 bar 3536 psi	305 bar 4420 psi	366 bar 5303 psi	427 bar 6187 psi	488 bar 7071 psi	549 bar 7955 psi	518 7504	40
234 L/min 62 US gpm	184 bar 2673 psi	230 bar 3342 psi	277 bar 4010 psi	323 bar 4679 psi	369 bar 5347 psi	415 bar 6015 psi	391 5674	46
277 L/min 73 US gpm	156 bar 2263 psi	195 bar 2829 psi	234 bar 3394 psi	273 bar 3960 psi	312 bar 4526 psi	351 bar 5091 psi	331 4803	50
323 L/min 85 US gpm	134 bar 1940 psi	167 bar 2425 psi	201 bar 2910 psi	234 bar 3395 psi	268 bar 3880 psi	301 bar 4365 psi	284 4117	54

Selection of 4 pump heads with different pressure ratings

### HJJ 213 - PRESSURE TABLE E - MOTOR 60 Hz / DIESEL 1800 RPM

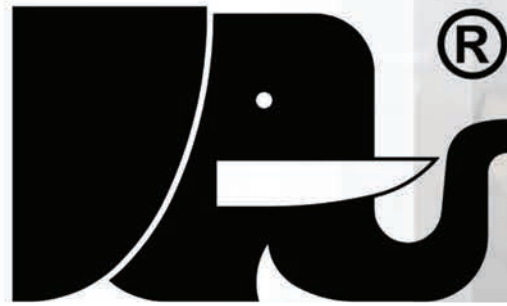
Flow at 675 RPM	REQUIRED POWER						Design pressure bar / psi	Plunger Ø mm
	80 kW	100 kW	120 kW	140 kW	160 kW	180 kW		
29 L/min 8 US gpm	1471 bar 21322 psi	1838 bar 26653 psi	2206 bar 31983 psi	2573 bar 37314 psi	2941 bar 42645 psi	3309 bar 47975 psi	3483 50508	16
46 L/min 12 US gpm	941 bar 13646 psi	1176 bar 17058 psi	1412 bar 20469 psi	1647 bar 23881 psi	1882 bar 27293 psi	2118 bar 30704 psi	2229 32325	20
78 L/min 20 US gpm	557 bar 8075 psi	696 bar 10093 psi	835 bar 12112 psi	975 bar 14131 psi	1114 bar 16149 psi	1253 bar 18168 psi	1319 19127	26
118 L/min 31 US gpm	368 bar 5331 psi	460 bar 6663 psi	551 bar 7996 psi	643 bar 9329 psi	735 bar 10661 psi	827 bar 11994 psi	871 12627	32
184 L/min 48 US gpm	235 bar 3412 psi	294 bar 4264 psi	353 bar 5117 psi	412 bar 5970 psi	471 bar 6823 psi	529 bar 7676 psi	557 8081	40
243 L/min 64 US gpm	178 bar 2580 psi	222 bar 3225 psi	267 bar 3869 psi	311 bar 4514 psi	356 bar 5159 psi	400 bar 5804 psi	421 6111	46
287 L/min 75 US gpm	151 bar 2183 psi	188 bar 2729 psi	226 bar 3275 psi	264 bar 3821 psi	301 bar 4367 psi	339 bar 4913 psi	357 5172	50
335 L/min 88 US gpm	129 bar 1872 psi	161 bar 2340 psi	194 bar 2808 psi	226 bar 3276 psi	258 bar 3744 psi	290 bar 4212 psi	306 4434	54

Selection of 4 pump heads with different pressure ratings

Highest pressure related to kW and Flow (Volumetric efficiency is taken into consideration)

Other Flow & Pressure ratings are available on request



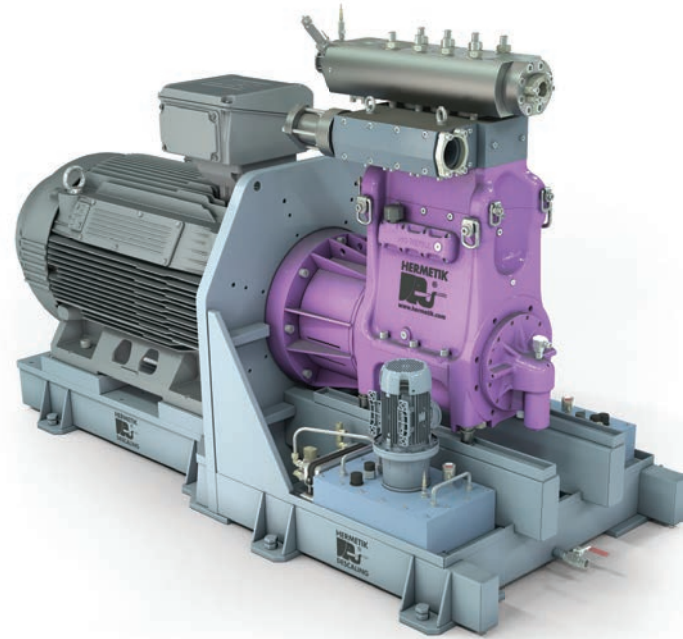


All HERMETIK pumps are suitable for the aluminium-industry

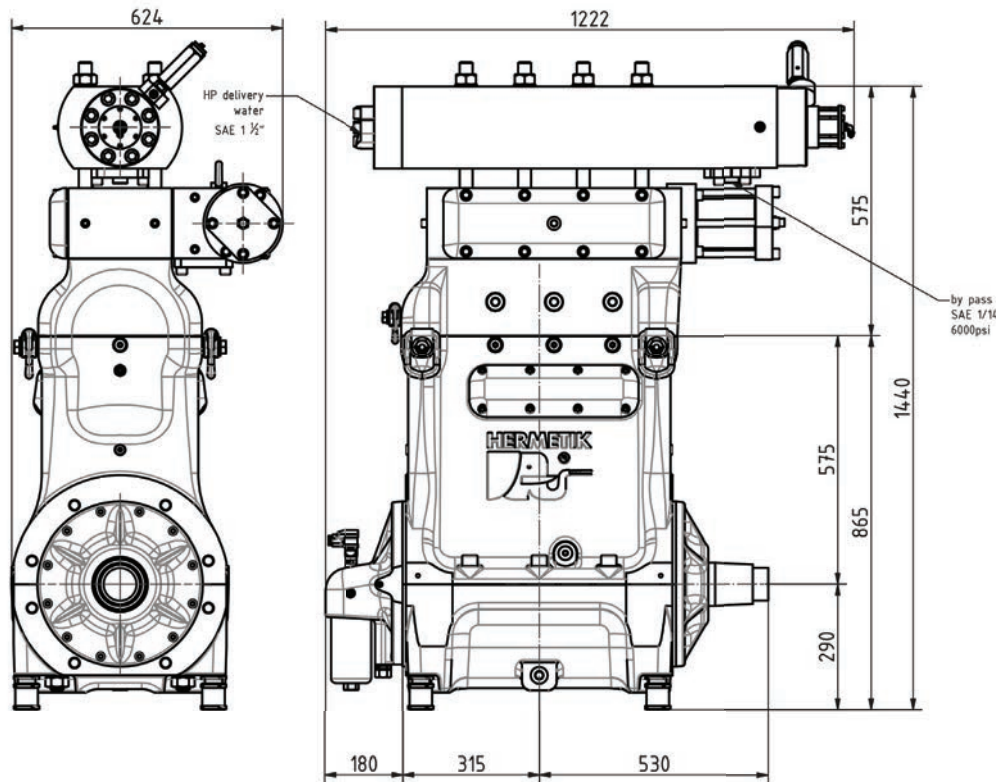
# HJJ200

## HIGH-PRESSURE PUMP

- Plunger count: 3 pieces
- Power: 250 kW
- Flow: <530 L/Min
- Pressure: <3000 bar
- Stroke: 68 - 70 mm
- Rod force: <240 N
- Plunger speed: from 0,76 to 1,77 m/s
- Pump unit weight: 1750 Kg



### DIMENSIONS HJJ200



Pump weight: 550 Kg

HERMETIK Pump Int. GmbH  
Wullener Feld 61  
58454 Witten  
Germany  
www.hermetikpump.de  
info@hermetikpump.de  
phone +49 2302 39 4540



### HJJ 200 - PRESSURE TABLE

### E - MOTOR 50 Hz

### 1500 RPM

Flow at 668 RPM	REQUIRED POWER						Design pressure bar / psi	Plunger Ø mm
	125 kW	150 kW	175 kW	200 kW	225 kW	250 kW		
41 L/min 11 US gpm	1659 bar 24061 psi	1991 bar 28874 psi	2323 bar 33686 psi	2655 bar 38498 psi	2987 bar 43310 psi	3319 bar 48123 psi	3344 48487	20
69 L/min 18 US gpm	982 bar 14237 psi	1178 bar 17085 psi	1375 bar 19932 psi	1571 bar 22780 psi	1767 bar 25627 psi	1964 bar 28475 psi	1979 28691	26
104 L/min 27 US gpm	648 bar 9399 psi	778 bar 11279 psi	907 bar 13159 psi	1037 bar 15038 psi	1167 bar 16918 psi	1296 bar 18798 psi	1306 18940	32
163 L/min 43 US gpm	415 bar 6015 psi	498 bar 7218 psi	581 bar 8421 psi	664 bar 9625 psi	747 bar 10828 psi	830 bar 12031 psi	836 12122	40
215 L/min 57 US gpm	314 bar 4548 psi	376 bar 5458 psi	439 bar 6368 psi	502 bar 7278 psi	565 bar 8187 psi	627 bar 9097 psi	632 9166	46
254 L/min 67 US gpm	266 bar 3850 psi	319 bar 4620 psi	372 bar 5390 psi	425 bar 6160 psi	478 bar 6930 psi	531 bar 7700 psi	535 7758	50
297 L/min 78 US gpm	228 bar 3301 psi	273 bar 3961 psi	319 bar 4621 psi	364 bar 5281 psi	410 bar 5941 psi	455 bar 6601 psi	459 6651	54
366 L/min 96 US gpm	184 bar 2673 psi	221 bar 3208 psi	258 bar 3743 psi	295 bar 4278 psi	332 bar 4812 psi	369 bar 5347 psi	372 5387	60
430 L/min 113 US gpm	157 bar 2278 psi	189 bar 2734 psi	220 bar 3189 psi	251 bar 3645 psi	283 bar 4100 psi	314 bar 4556 psi	317 4591	65
498 L/min 131 US gpm	135 bar 1964 psi	163 bar 2357 psi	190 bar 2750 psi	217 bar 3143 psi	244 bar 3536 psi	271 bar 3928 psi	273 3958	70

Selection of 4 pump heads with different pressure ratings

### HJJ 200 - PRESSURE TABLE

### E - MOTOR 60 Hz / DIESEL 1800 RPM

Flow at 802 RPM	REQUIRED POWER						Design pressure bar / psi	Plunger Ø mm
	125 kW	150 kW	175 kW	200 kW	225 kW	250 kW		
43 L/min 11 US gpm	1567 bar 22725 psi	1881 bar 27270 psi	2194 bar 31814 psi	2508 bar 36359 psi	2821 bar 40904 psi	3134 bar 45449 psi	3344 48487	20
73 L/min 19 US gpm	927 bar 13447 psi	1113 bar 16136 psi	1298 bar 18825 psi	1484 bar 21514 psi	1669 bar 24204 psi	1855 bar 26893 psi	1979 28691	26
110 L/min 29 US gpm	612 bar 8877 psi	735 bar 10652 psi	857 bar 12428 psi	980 bar 14203 psi	1102 bar 15978 psi	1224 bar 17754 psi	1306 18940	32
172 L/min 45 US gpm	392 bar 5681 psi	470 bar 6817 psi	549 bar 7954 psi	627 bar 9090 psi	705 bar 10226 psi	784 bar 11362 psi	836 12122	40
228 L/min 60 US gpm	296 bar 4296 psi	356 bar 5155 psi	415 bar 6014 psi	474 bar 6873 psi	533 bar 7732 psi	593 bar 8592 psi	632 9166	46
269 L/min 71 US gpm	251 bar 3636 psi	301 bar 4363 psi	351 bar 5090 psi	401 bar 5817 psi	451 bar 6545 psi	502 bar 7272 psi	535 7758	50
314 L/min 83 US gpm	215 bar 3117 psi	258 bar 3741 psi	301 bar 4364 psi	344 bar 4988 psi	387 bar 5611 psi	430 bar 6234 psi	459 6651	54
388 L/min 102 US gpm	174 bar 2525 psi	209 bar 3030 psi	244 bar 3535 psi	279 bar 4040 psi	313 bar 4545 psi	348 bar 5050 psi	372 5387	60
455 L/min 120 US gpm	148 bar 2151 psi	178 bar 2582 psi	208 bar 3012 psi	237 bar 3442 psi	267 bar 3873 psi	297 bar 4303 psi	317 4591	65
528 L/min 139 US gpm	128 bar 1855 psi	154 bar 2226 psi	179 bar 2597 psi	205 bar 2968 psi	230 bar 3339 psi	256 bar 3710 psi	273 3958	70

Selection of 4 pump heads with different pressure ratings

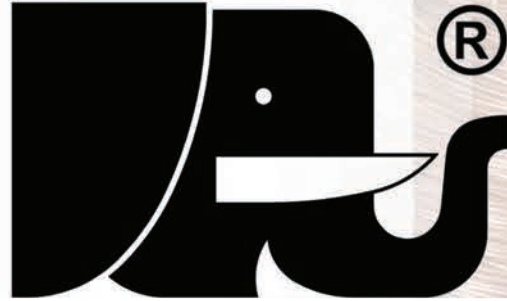
Highest pressure related to kW and Flow (Volumetric efficiency is taken into consideration)

Other Flow & Pressure ratings are available on request

HERMETIK Pump Int. GmbH  
Wullener Feld 61  
58454 Witten  
Germany  
www.hermetikpump.de  
info@hermetikpump.de  
phone +49 2302 39 4540





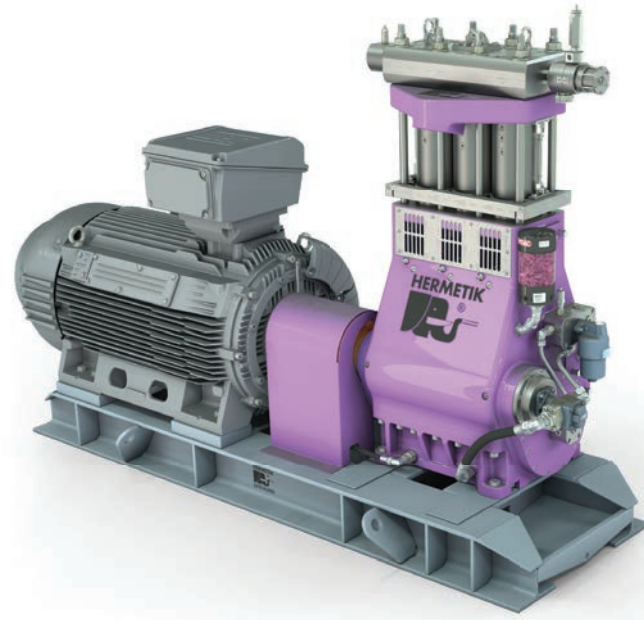


All HERMETIK pumps are suitable for the copper industry

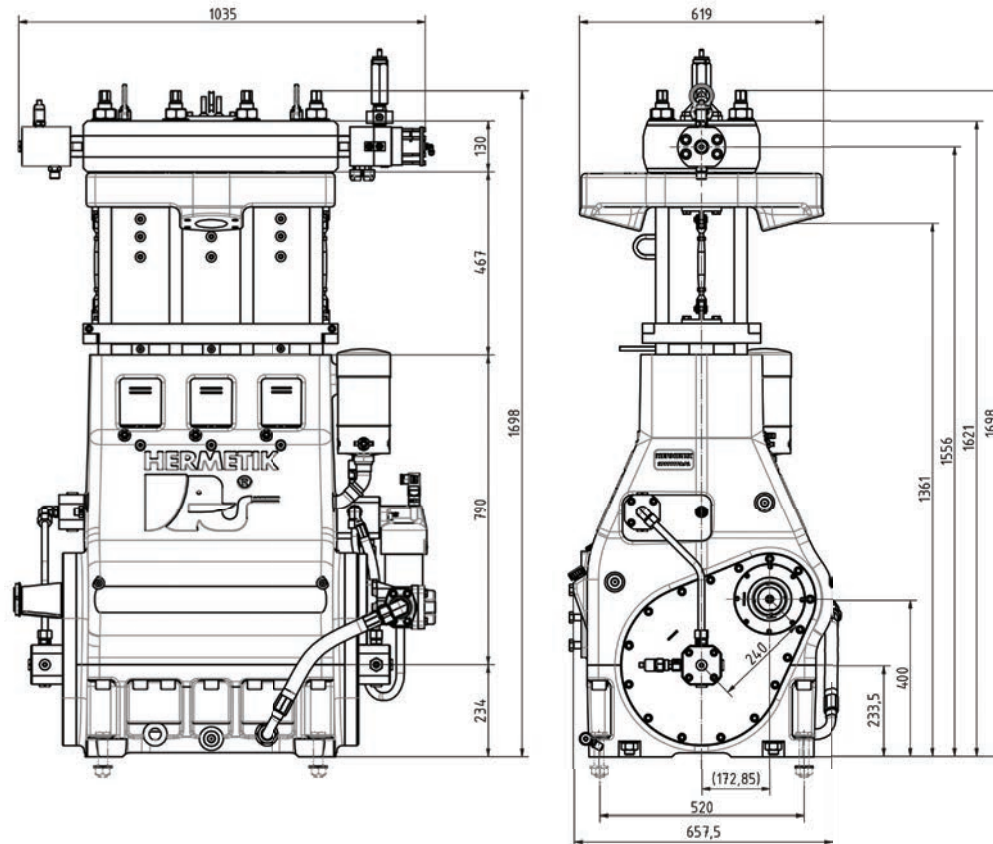
# HJJ300

## HIGH-PRESSURE PUMP

- Plunger: 3 pieces
- Power: 550 kW
- Flow: <1200 L/Min
- Pressure: <3000 bar
- Stroke: 70 - 80 mm
- Rod force: <240 N
- Plunger speed: from 0,84 to 1,77 m/s
- Pump unit weight: 5600 Kg



### DIMENSIONS HJJ300



Pump weight: 2300 Kg

HERMETIK Pump Int. GmbH  
Wullener Feld 61  
58454 Witten  
Germany  
www.hermetikpump.de  
info@hermetikpump.de  
phone +49 2302 39 4540



### HJJ 300 - PRESSURE TABLE

### E - MOTOR 50 Hz

### 1500 RPM

Flow at 632 RPM	REQUIRED POWER						Design pressure bar / psi	Plunger Ø mm
	300 kW	350 kW	400 kW	450 kW	500 kW	550 kW		
77 L/min 20 US gpm	2117 bar 30701 psi	2470 bar 35818 psi	2823 bar 40935 psi	3176 bar 46052 psi	3529 bar 51169 psi	3882 bar 56286 psi	4523 65579	26
116 L/min 30 US gpm	1398 bar 20268 psi	1631 bar 23646 psi	1864 bar 27023 psi	2097 bar 30401 psi	2330 bar 33779 psi	2563 bar 37157 psi	2986 43292	32
181 L/min 48 US gpm	895 bar 12971 psi	1044 bar 15133 psi	1193 bar 17295 psi	1342 bar 19457 psi	1491 bar 21619 psi	1640 bar 23781 psi	1911 27707	40
239 L/min 63 US gpm	676 bar 9808 psi	789 bar 11443 psi	902 bar 13078 psi	1015 bar 14712 psi	1127 bar 16347 psi	1240 bar 17982 psi	1445 20950	46
407 L/min 107 US gpm	398 bar 5765 psi	464 bar 6726 psi	530 bar 7687 psi	596 bar 8648 psi	663 bar 9608 psi	729 bar 10569 psi	849 12314	60
478 L/min 126 US gpm	339 bar 4912 psi	395 bar 5731 psi	452 bar 6550 psi	508 bar 7368 psi	565 bar 8187 psi	621 bar 9006 psi	724 10493	65
555 L/min 146 US gpm	292 bar 4236 psi	341 bar 4941 psi	389 bar 5647 psi	438 bar 6353 psi	487 bar 7059 psi	536 bar 7765 psi	624 9047	70
637 L/min 168 US gpm	254 bar 3690 psi	297 bar 4305 psi	339 bar 4919 psi	382 bar 5534 psi	424 bar 6149 psi	467 bar 6764 psi	544 7881	75
724 L/min 191 US gpm	224 bar 3243 psi	261 bar 3783 psi	298 bar 4324 psi	335 bar 4864 psi	373 bar 5405 psi	410 bar 5945 psi	478 6927	80
917 L/min 241 US gpm	177 bar 2562 psi	206 bar 2989 psi	236 bar 3416 psi	265 bar 3843 psi	295 bar 4270 psi	324 bar 4697 psi	377 5473	90
1132 L/min 298 US gpm	143 bar 2075 psi	167 bar 2421 psi	191 bar 2767 psi	215 bar 3113 psi	239 bar 3459 psi	262 bar 3805 psi	306 4433	100

Selection of 4 pump heads with different pressure ratings

### HJJ 300 - PRESSURE TABLE

### E - MOTOR 60 Hz / DIESEL

### 1800 RPM

Flow at 759 RPM	REQUIRED POWER						Design pressure bar / psi	Plunger Ø mm
	300 kW	350 kW	400 kW	450 kW	500 kW	550 kW		
80 L/min 21 US gpm	2016 bar 29239 psi	2353 bar 34112 psi	2689 bar 38986 psi	3025 bar 43859 psi	3361 bar 48732 psi	3697 bar 53605 psi	4523 65579	26
122 L/min 32 US gpm	1331 bar 19302 psi	1553 bar 22520 psi	1775 bar 25737 psi	1997 bar 28954 psi	2219 bar 32171 psi	2441 bar 35388 psi	2986 43292	32
190 L/min 50 US gpm	852 bar 12354 psi	994 bar 14413 psi	1136 bar 16471 psi	1278 bar 18530 psi	1420 bar 20589 psi	1562 bar 22648 psi	1911 27707	40
251 L/min 66 US gpm	644 bar 9341 psi	752 bar 10898 psi	859 bar 12455 psi	966 bar 14012 psi	1074 bar 15568 psi	1181 bar 17125 psi	1445 20950	46
428 L/min 113 US gpm	379 bar 5490 psi	442 bar 6406 psi	505 bar 7321 psi	568 bar 8236 psi	631 bar 9151 psi	694 bar 10066 psi	849 12314	60
502 L/min 132 US gpm	323 bar 4678 psi	376 bar 5458 psi	430 bar 6238 psi	484 bar 7017 psi	538 bar 7797 psi	592 bar 8577 psi	724 10493	65
582 L/min 153 US gpm	278 bar 4034 psi	325 bar 4706 psi	371 bar 5378 psi	417 bar 6051 psi	464 bar 6723 psi	510 bar 7395 psi	624 9047	70
668 L/min 176 US gpm	242 bar 3514 psi	283 bar 4100 psi	323 bar 4685 psi	364 bar 5271 psi	404 bar 5857 psi	444 bar 6442 psi	544 7881	75
761 L/min 200 US gpm	213 bar 3088 psi	248 bar 3603 psi	284 bar 4118 psi	319 bar 4633 psi	355 bar 5147 psi	390 bar 5662 psi	478 6927	80
963 L/min 253 US gpm	168 bar 2440 psi	196 bar 2847 psi	224 bar 3254 psi	252 bar 3660 psi	280 bar 4067 psi	309 bar 4474 psi	377 5473	90
1188 L/min 313 US gpm	136 bar 1977 psi	159 bar 2306 psi	182 bar 2635 psi	204 bar 2965 psi	227 bar 3294 psi	250 bar 3624 psi	306 4433	100

Selection of 4 pump heads with different pressure ratings

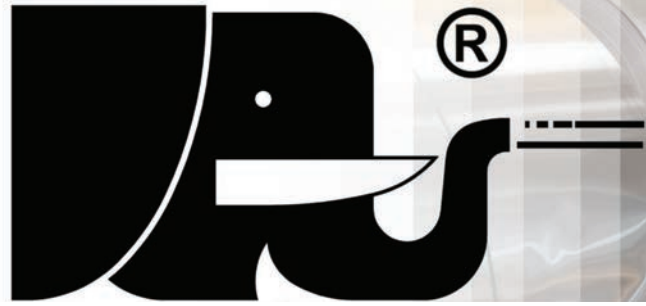
Highest pressure related to kW and Flow (Volumetric efficiency is taken into consideration)

Other Flow & Pressure ratings are available on request

HERMETIK Pump Int. GmbH  
Wullener Feld 61  
58454 Witten  
Germany  
www.hermetikpump.de  
info@hermetikpump.de  
phone +49 2302 39 4540







®

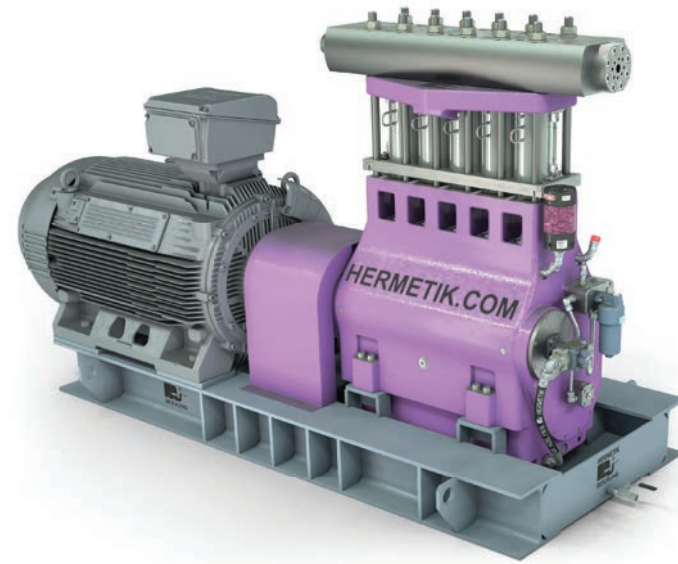


All HERMETIK pumps are suitable for the aluminium-industry

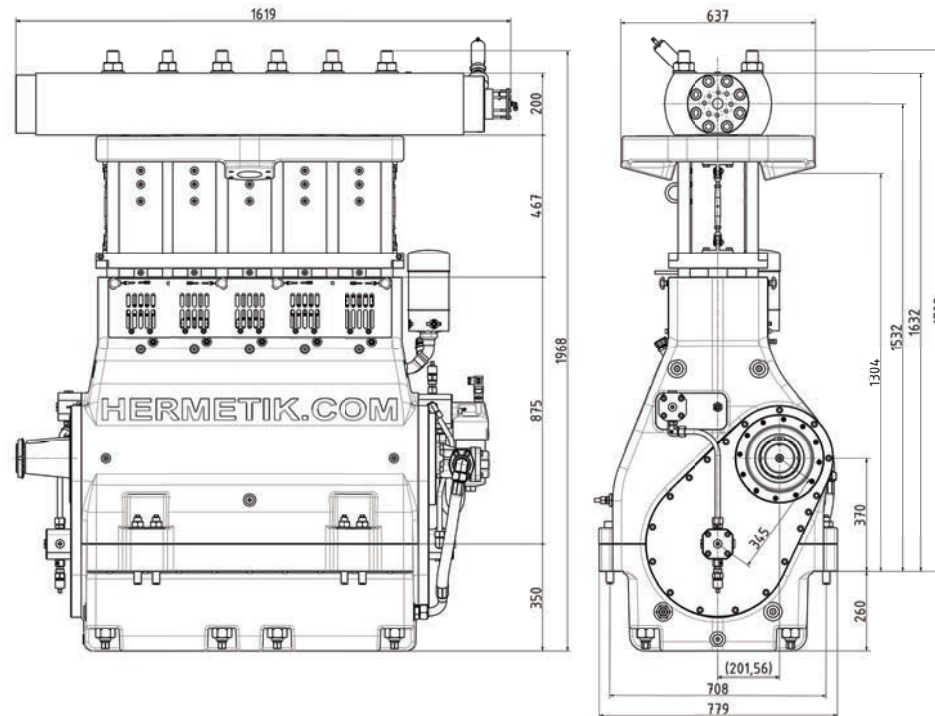
# HJJ500

## HIGH-PRESSURE PUMP

- Plunger: 5 pieces
- Power: 850 kW
- Flow: <2000 L/Min
- Pressure: <3000 bar
- Stroke: 70 - 80 mm
- Rod force: <240 N
- Plunger speed: from 0,84 to 1,77 m/s
- Pump unit weight: 11200 Kg



### DIMENSIONS HJJ500



Pump weight: 4900 Kg

“ Super High-Pressure Water Pack ”

HERMETIK Pump Int. GmbH  
Wullener Feld 61  
58454 Witten  
Germany  
www.hermetikpump.de  
info@hermetikpump.de  
phone +49 2302 39 4540



### HJJ 500 - PRESSURE TABLE E - MOTOR 50 Hz 1500 RPM

Flow at 632 RPM	REQUIRED POWER						Design pressure bar / psi	Plunger Ø mm
	600 kW	650 kW	700 kW	750 kW	800 kW	850 kW		
128 L/min 34 US gpm	2541 bar 36841 psi	2753 bar 39912 psi	2964 bar 42982 psi	3176 bar 46052 psi	3388 bar 49122 psi	3599 bar 52192 psi	4523 65579	26
193 L/min 51 US gpm	1677 bar 24321 psi	1817 bar 26348 psi	1957 bar 28375 psi	2097 bar 30401 psi	2236 bar 32428 psi	2376 bar 34455 psi	2986 43292	32
302 L/min 79 US gpm	1073 bar 15566 psi	1163 bar 16863 psi	1252 bar 18160 psi	1342 bar 19457 psi	1431 bar 20754 psi	1521 bar 22051 psi	1911 27707	40
399 L/min 105 US gpm	812 bar 11770 psi	879 bar 12751 psi	947 bar 13731 psi	1015 bar 14712 psi	1082 bar 15693 psi	1150 bar 16674 psi	1445 20950	46
679 L/min 179 US gpm	477 bar 6918 psi	517 bar 7495 psi	557 bar 8071 psi	596 bar 8648 psi	636 bar 9224 psi	676 bar 9801 psi	849 12314	60
797 L/min 210 US gpm	407 bar 5895 psi	440 bar 6386 psi	474 bar 6877 psi	508 bar 7368 psi	542 bar 7860 psi	576 bar 8351 psi	724 10493	65
924 L/min 243 US gpm	351 bar 5083 psi	380 bar 5506 psi	409 bar 5930 psi	438 bar 6353 psi	467 bar 6777 psi	497 bar 7200 psi	624 9047	70
1061 L/min 279 US gpm	305 bar 4428 psi	331 bar 4796 psi	356 bar 5165 psi	382 bar 5534 psi	407 bar 5903 psi	433 bar 6272 psi	544 7881	75
1207 L/min 318 US gpm	268 bar 3891 psi	291 bar 4216 psi	313 bar 4540 psi	335 bar 4864 psi	358 bar 5189 psi	380 bar 5513 psi	478 6927	80
1528 L/min 402 US gpm	212 bar 3075 psi	230 bar 3331 psi	247 bar 3587 psi	265 bar 3843 psi	283 bar 4100 psi	300 bar 4356 psi	377 5473	90
1886 L/min 496 US gpm	172 bar 2490 psi	186 bar 2698 psi	200 bar 2906 psi	215 bar 3113 psi	229 bar 3321 psi	243 bar 3528 psi	306 4433	100

Selection of 4 pump heads with different pressure ratings

### HJJ 500 - PRESSURE TABLE E - MOTOR 60 Hz / DIESEL 1800 RPM

Flow at 759 RPM	REQUIRED POWER						Design pressure bar / psi	Plunger Ø mm
	600 kW	650 kW	700 kW	750 kW	800 kW	850 kW		
134 L/min 35 US gpm	2420 bar 35087 psi	2621 bar 38011 psi	2823 bar 40935 psi	3025 bar 43859 psi	3226 bar 46783 psi	3428 bar 49707 psi	4523 65579	26
203 L/min 53 US gpm	1597 bar 23163 psi	1731 bar 25093 psi	1864 bar 27023 psi	1997 bar 28954 psi	2130 bar 30884 psi	2263 bar 32814 psi	2986 43292	32
317 L/min 83 US gpm	1022 bar 14824 psi	1108 bar 16060 psi	1193 bar 17295 psi	1278 bar 18530 psi	1363 bar 19766 psi	1448 bar 21001 psi	1911 27707	40
419 L/min 110 US gpm	773 bar 11209 psi	837 bar 12143 psi	902 bar 13078 psi	966 bar 14012 psi	1031 bar 14946 psi	1095 bar 15880 psi	1445 20950	46
713 L/min 188 US gpm	454 bar 6589 psi	492 bar 7138 psi	530 bar 7687 psi	568 bar 8236 psi	606 bar 8785 psi	644 bar 9334 psi	849 12314	60
837 L/min 220 US gpm	387 bar 5614 psi	419 bar 6082 psi	452 bar 6550 psi	484 bar 7017 psi	516 bar 7485 psi	548 bar 7953 psi	724 10493	65
971 L/min 255 US gpm	334 bar 4841 psi	362 bar 5244 psi	389 bar 5647 psi	417 bar 6051 psi	445 bar 6454 psi	473 bar 6857 psi	624 9047	70
1114 L/min 293 US gpm	291 bar 4217 psi	315 bar 4568 psi	339 bar 4919 psi	364 bar 5271 psi	388 bar 5622 psi	412 bar 5974 psi	544 7881	75
1268 L/min 334 US gpm	256 bar 3706 psi	277 bar 4015 psi	298 bar 4324 psi	319 bar 4633 psi	341 bar 4941 psi	362 bar 5250 psi	478 6927	80
1604 L/min 422 US gpm	202 bar 2928 psi	219 bar 3172 psi	236 bar 3416 psi	252 bar 3660 psi	269 bar 3904 psi	286 bar 4148 psi	377 5473	90
1981 L/min 521 US gpm	164 bar 2372 psi	177 bar 2570 psi	191 bar 2767 psi	204 bar 2965 psi	218 bar 3163 psi	232 bar 3360 psi	306 4433	100

Selection of 4 pump heads with different pressure ratings

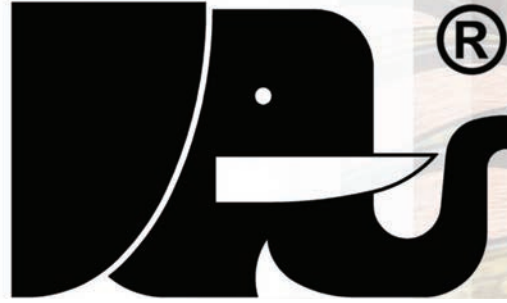
Highest pressure related to kW and Flow (Volumetric efficiency is taken into consideration)

Other Flow & Pressure ratings are available on request

HERMETIK Pump Int. GmbH  
Wullener Feld 61  
58454 Witten  
Germany  
www.hermetikpump.de  
info@hermetikpump.de  
phone +49 2302 39 4540





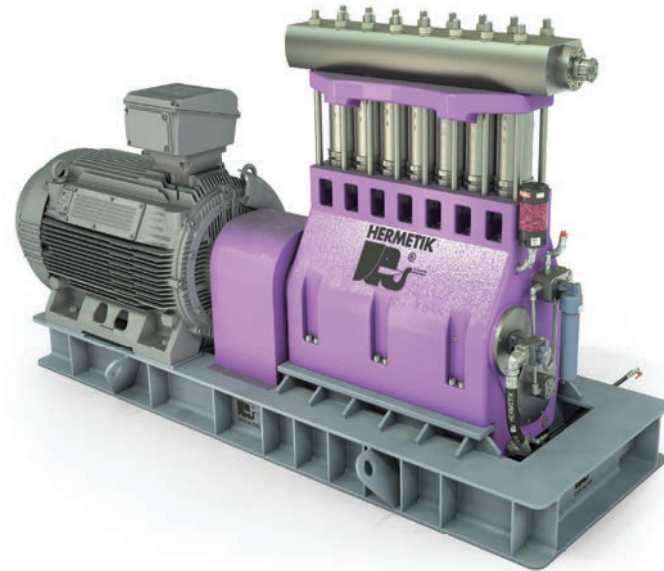


All HERMETIK pumps are suitable for the copper industry

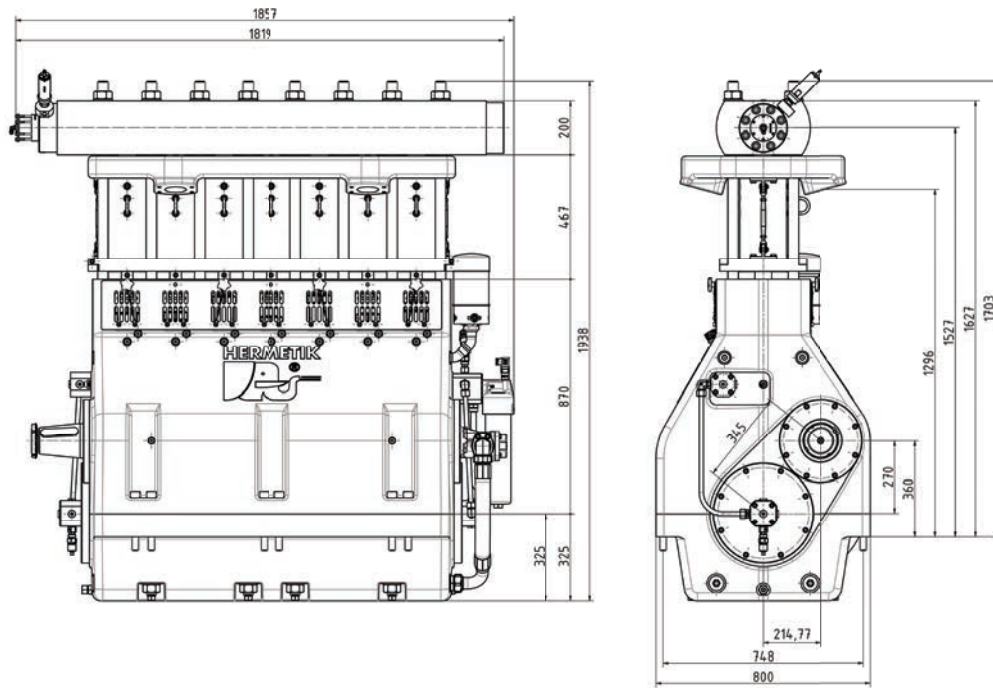
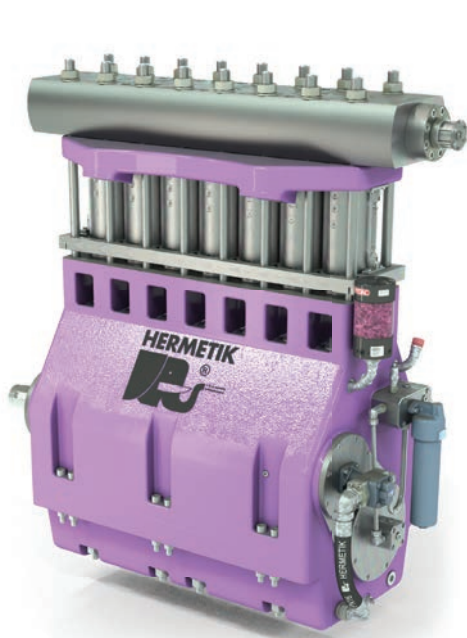
# HJJ700

## HIGH-PRESSURE PUMP

- Plunger: 7 pieces
- Power: 1400 kW
- Flow: <2800 L/Min
- Pressure: <3000 bar
- Stroke: 70 - 80 mm
- Rod force: <240 N
- Plunger speed: from 0,84 to 1,77 m/s
- Pump unit weight: 12700 Kg



### DIMENSIONS HJJ700



Pump weight: 6200 Kg

### HJJ 700 - PRESSURE TABLE

### E - MOTOR 50 Hz

### 1500 RPM

Flow at 632 RPM	REQUIRED POWER						Design pressure bar / psi	Plunger Ø mm
	1150 kW	1200 kW	1250 kW	1300 kW	1350 kW	1400 kW		
<b>179</b> L/min 47 US gpm	<b>3478</b> bar 50438 psi	<b>3630</b> bar 52631 psi	<b>3781</b> bar 54824 psi	<b>3932</b> bar 57017 psi	<b>4083</b> bar 59209 psi	<b>4235</b> bar 61402 psi	4523 65579	26
<b>270</b> L/min 71 US gpm	<b>2296</b> bar 33297 psi	<b>2396</b> bar 34744 psi	<b>2496</b> bar 36192 psi	<b>2596</b> bar 37640 psi	<b>2696</b> bar 39087 psi	<b>2796</b> bar 40535 psi	2986 43292	32
<b>423</b> L/min 111 US gpm	<b>1470</b> bar 21310 psi	<b>1534</b> bar 22236 psi	<b>1597</b> bar 23163 psi	<b>1661</b> bar 24089 psi	<b>1725</b> bar 25016 psi	<b>1789</b> bar 25943 psi	1911 27707	40
<b>559</b> L/min 147 US gpm	<b>1111</b> bar 16113 psi	<b>1160</b> bar 16814 psi	<b>1208</b> bar 17515 psi	<b>1256</b> bar 18215 psi	<b>1305</b> bar 18916 psi	<b>1353</b> bar 19616 psi	1445 20950	46
<b>951</b> L/min 250 US gpm	<b>653</b> bar 9471 psi	<b>682</b> bar 9883 psi	<b>710</b> bar 10295 psi	<b>738</b> bar 10706 psi	<b>767</b> bar 11118 psi	<b>795</b> bar 11530 psi	849 12314	60
<b>1116</b> L/min 294 US gpm	<b>557</b> bar 8070 psi	<b>581</b> bar 8421 psi	<b>605</b> bar 8772 psi	<b>629</b> bar 9123 psi	<b>653</b> bar 9474 psi	<b>678</b> bar 9824 psi	724 10493	65
<b>1294</b> L/min 341 US gpm	<b>480</b> bar 6958 psi	<b>501</b> bar 7261 psi	<b>522</b> bar 7563 psi	<b>542</b> bar 7866 psi	<b>563</b> bar 8168 psi	<b>584</b> bar 8471 psi	624 9047	70
<b>1486</b> L/min 391 US gpm	<b>418</b> bar 6061 psi	<b>436</b> bar 6325 psi	<b>454</b> bar 6589 psi	<b>473</b> bar 6852 psi	<b>491</b> bar 7116 psi	<b>509</b> bar 7379 psi	544 7881	75
<b>1690</b> L/min 445 US gpm	<b>367</b> bar 5327 psi	<b>383</b> bar 5559 psi	<b>399</b> bar 5791 psi	<b>415</b> bar 6022 psi	<b>431</b> bar 6254 psi	<b>447</b> bar 6486 psi	478 6927	80
<b>2139</b> L/min 563 US gpm	<b>290</b> bar 4209 psi	<b>303</b> bar 4392 psi	<b>316</b> bar 4575 psi	<b>328</b> bar 4758 psi	<b>341</b> bar 4941 psi	<b>353</b> bar 5124 psi	377 5473	90
<b>2641</b> L/min 695 US gpm	<b>235</b> bar 3410 psi	<b>245</b> bar 3558 psi	<b>256</b> bar 3706 psi	<b>266</b> bar 3854 psi	<b>276</b> bar 4003 psi	<b>286</b> bar 4151 psi	306 4433	100

Selection of 4 pump heads with different pressure ratings

### HJJ 700 - PRESSURE TABLE

### E - MOTOR 60 Hz / DIESEL

### 1800 RPM

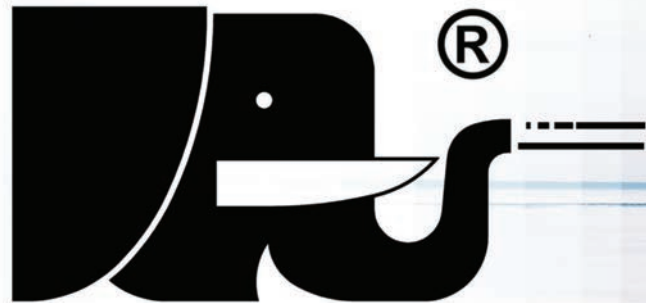
Flow at 759 RPM	REQUIRED POWER						Design pressure bar / psi	Plunger Ø mm
	1150 kW	1200 kW	1250 kW	1300 kW	1350 kW	1400 kW		
<b>187</b> L/min 49 US gpm	<b>3313</b> bar 48036 psi	<b>3457</b> bar 50124 psi	<b>3601</b> bar 52213 psi	<b>3745</b> bar 54301 psi	<b>3889</b> bar 56390 psi	<b>4033</b> bar 58478 psi	4523 65579	26
<b>284</b> L/min 75 US gpm	<b>2187</b> bar 31711 psi	<b>2282</b> bar 33090 psi	<b>2377</b> bar 34469 psi	<b>2472</b> bar 35847 psi	<b>2567</b> bar 37226 psi	<b>2662</b> bar 38605 psi	2986 43292	32
<b>444</b> L/min 117 US gpm	<b>1400</b> bar 20295 psi	<b>1461</b> bar 21178 psi	<b>1521</b> bar 22060 psi	<b>1582</b> bar 22942 psi	<b>1643</b> bar 23825 psi	<b>1704</b> bar 24707 psi	1911 27707	40
<b>587</b> L/min 154 US gpm	<b>1058</b> bar 15346 psi	<b>1104</b> bar 16013 psi	<b>1150</b> bar 16680 psi	<b>1196</b> bar 17348 psi	<b>1242</b> bar 18015 psi	<b>1288</b> bar 18682 psi	1445 20950	46
<b>998</b> L/min 263 US gpm	<b>622</b> bar 9020 psi	<b>649</b> bar 9412 psi	<b>676</b> bar 9804 psi	<b>703</b> bar 10197 psi	<b>730</b> bar 10589 psi	<b>757</b> bar 10981 psi	849 12314	60
<b>1172</b> L/min 308 US gpm	<b>530</b> bar 7686 psi	<b>553</b> bar 8020 psi	<b>576</b> bar 8354 psi	<b>599</b> bar 8688 psi	<b>622</b> bar 9022 psi	<b>645</b> bar 9357 psi	724 10493	65
<b>1359</b> L/min 358 US gpm	<b>457</b> bar 6627 psi	<b>477</b> bar 6915 psi	<b>497</b> bar 7203 psi	<b>517</b> bar 7491 psi	<b>537</b> bar 7780 psi	<b>556</b> bar 8068 psi	624 9047	70
<b>1560</b> L/min 410 US gpm	<b>398</b> bar 5773 psi	<b>415</b> bar 6024 psi	<b>433</b> bar 6275 psi	<b>450</b> bar 6526 psi	<b>467</b> bar 6777 psi	<b>485</b> bar 7028 psi	544 7881	75
<b>1775</b> L/min 467 US gpm	<b>350</b> bar 5074 psi	<b>365</b> bar 5294 psi	<b>380</b> bar 5515 psi	<b>396</b> bar 5736 psi	<b>411</b> bar 5956 psi	<b>426</b> bar 6177 psi	478 6927	80
<b>2246</b> L/min 591 US gpm	<b>276</b> bar 4009 psi	<b>288</b> bar 4183 psi	<b>301</b> bar 4358 psi	<b>313</b> bar 4532 psi	<b>325</b> bar 4706 psi	<b>337</b> bar 4880 psi	377 5473	90
<b>2773</b> L/min 730 US gpm	<b>224</b> bar 3247 psi	<b>234</b> bar 3388 psi	<b>243</b> bar 3530 psi	<b>253</b> bar 3671 psi	<b>263</b> bar 3812 psi	<b>273</b> bar 3953 psi	306 4433	100

Selection of 4 pump heads with different pressure ratings

Highest pressure related to kW and Flow (Volumetric efficiency is taken into consideration)

Other Flow & Pressure ratings are available on request



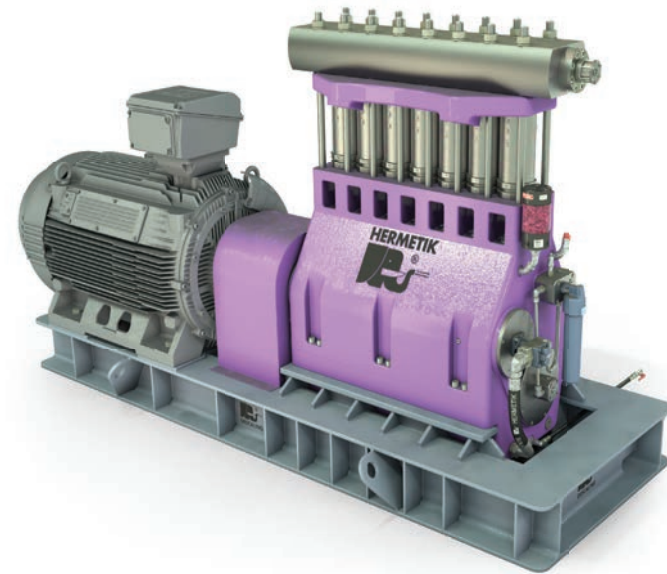


All HERMETIK pumps are suitable for the maritime industry

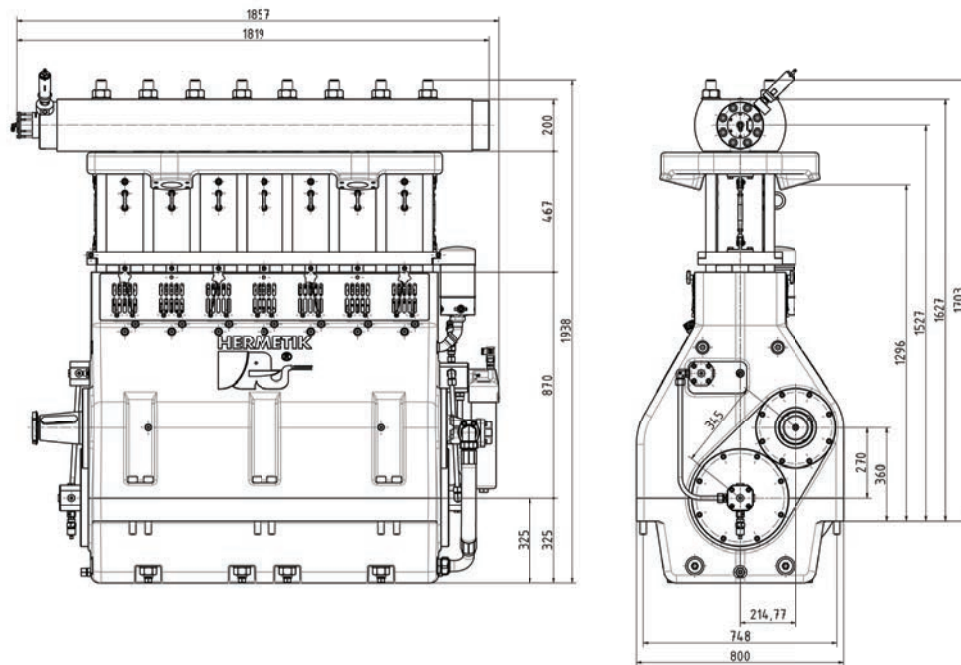
# HJJ900

## HIGH-PRESSURE PUMP

- Plunger: 7 pieces
- Power: 1900 kW
- Flow: <3300 L/Min
- Pressure: <3000 bar
- Stroke: 65 - 75 mm
- Rod force: <240 N
- Plunger speed: from 0,79 to 1,64 m/s
- Pump unit weight: 12700 Kg



### DIMENSIONS HJJ900



Pump weight: 7200 Kg

“Excellent quality”

### HJJ 900 - PRESSURE TABLE E - MOTOR 50 Hz 1500 RPM

Flow at 632 RPM	REQUIRED POWER						Design pressure bar / psi	Plunger Ø mm
	1300 kW	1400 kW	1500 kW	1600 kW	1700 kW	1800 kW		
<b>215</b> L/min 57 US gpm	<b>3262</b> bar 47303 psi	<b>3513</b> bar 50941 psi	<b>3764</b> bar 54580 psi	<b>4015</b> bar 58219 psi	<b>4266</b> bar 61857 psi	<b>4517</b> bar 65496 psi	4523 65579	26
<b>326</b> L/min 86 US gpm	<b>2154</b> bar 31227 psi	<b>2319</b> bar 33629 psi	<b>2485</b> bar 36031 psi	<b>2651</b> bar 38433 psi	<b>2816</b> bar 40835 psi	<b>2982</b> bar 43238 psi	2986 43292	32
<b>509</b> L/min 134 US gpm	<b>1378</b> bar 19985 psi	<b>1484</b> bar 21523 psi	<b>1590</b> bar 23060 psi	<b>1696</b> bar 24597 psi	<b>1802</b> bar 26135 psi	<b>1908</b> bar 27672 psi	1911 27707	40
<b>674</b> L/min 177 US gpm	<b>1042</b> bar 15112 psi	<b>1122</b> bar 16274 psi	<b>1203</b> bar 17437 psi	<b>1283</b> bar 18599 psi	<b>1363</b> bar 19762 psi	<b>1443</b> bar 20924 psi	1445 20950	46
<b>1146</b> L/min 302 US gpm	<b>613</b> bar 8882 psi	<b>660</b> bar 9566 psi	<b>707</b> bar 10249 psi	<b>754</b> bar 10932 psi	<b>801</b> bar 11615 psi	<b>848</b> bar 12299 psi	849 12314	60
<b>1345</b> L/min 354 US gpm	<b>522</b> bar 7568 psi	<b>562</b> bar 8151 psi	<b>602</b> bar 8733 psi	<b>642</b> bar 9315 psi	<b>683</b> bar 9897 psi	<b>723</b> bar 10479 psi	724 10493	65
<b>1560</b> L/min 410 US gpm	<b>450</b> bar 6526 psi	<b>485</b> bar 7028 psi	<b>519</b> bar 7530 psi	<b>554</b> bar 8032 psi	<b>589</b> bar 8534 psi	<b>623</b> bar 9036 psi	624 9047	70
<b>1791</b> L/min 471 US gpm	<b>392</b> bar 5685 psi	<b>422</b> bar 6122 psi	<b>452</b> bar 6559 psi	<b>483</b> bar 6997 psi	<b>513</b> bar 7434 psi	<b>543</b> bar 7871 psi	544 7881	75
<b>2037</b> L/min 536 US gpm	<b>345</b> bar 4996 psi	<b>371</b> bar 5381 psi	<b>398</b> bar 5765 psi	<b>424</b> bar 6149 psi	<b>451</b> bar 6534 psi	<b>477</b> bar 6918 psi	478 6927	80
<b>2578</b> L/min 679 US gpm	<b>272</b> bar 3948 psi	<b>293</b> bar 4251 psi	<b>314</b> bar 4555 psi	<b>335</b> bar 4859 psi	<b>356</b> bar 5162 psi	<b>377</b> bar 5466 psi	377 5473	90
<b>3183</b> L/min 838 US gpm	<b>221</b> bar 3198 psi	<b>237</b> bar 3444 psi	<b>254</b> bar 3690 psi	<b>271</b> bar 3936 psi	<b>288</b> bar 4182 psi	<b>305</b> bar 4428 psi	306 4433	100

Selection of 4 pump heads with different pressure ratings

### HJJ 900 - PRESSURE TABLE E - MOTOR 60 Hz / DIESEL 1800 RPM

Flow at 759 RPM	REQUIRED POWER						Design pressure bar / psi	Plunger Ø mm
	1300 kW	1400 kW	1500 kW	1600 kW	1700 kW	1800 kW		
<b>224</b> L/min 59 US gpm	<b>3137</b> bar 45483 psi	<b>3378</b> bar 48982 psi	<b>3619</b> bar 52481 psi	<b>3861</b> bar 55979 psi	<b>4102</b> bar 59478 psi	<b>4343</b> bar 62977 psi	4523 65579	26
<b>339</b> L/min 89 US gpm	<b>2071</b> bar 30026 psi	<b>2230</b> bar 32336 psi	<b>2389</b> bar 34645 psi	<b>2549</b> bar 36955 psi	<b>2708</b> bar 39265 psi	<b>2867</b> bar 41575 psi	2986 43292	32
<b>530</b> L/min 139 US gpm	<b>1325</b> bar 19217 psi	<b>1427</b> bar 20695 psi	<b>1529</b> bar 22173 psi	<b>1631</b> bar 23651 psi	<b>1733</b> bar 25129 psi	<b>1835</b> bar 26608 psi	1911 27707	40
<b>701</b> L/min 184 US gpm	<b>1002</b> bar 14531 psi	<b>1079</b> bar 15648 psi	<b>1156</b> bar 16766 psi	<b>1233</b> bar 17884 psi	<b>1310</b> bar 19002 psi	<b>1388</b> bar 20119 psi	1445 20950	46
<b>1192</b> L/min 314 US gpm	<b>589</b> bar 8541 psi	<b>634</b> bar 9198 psi	<b>680</b> bar 9855 psi	<b>725</b> bar 10512 psi	<b>770</b> bar 11169 psi	<b>816</b> bar 11826 psi	849 12314	60
<b>1399</b> L/min 368 US gpm	<b>502</b> bar 7277 psi	<b>540</b> bar 7837 psi	<b>579</b> bar 8397 psi	<b>618</b> bar 8957 psi	<b>656</b> bar 9516 psi	<b>695</b> bar 10076 psi	724 10493	65
<b>1622</b> L/min 427 US gpm	<b>433</b> bar 6275 psi	<b>466</b> bar 6758 psi	<b>499</b> bar 7240 psi	<b>533</b> bar 7723 psi	<b>566</b> bar 8206 psi	<b>599</b> bar 8688 psi	624 9047	70
<b>1862</b> L/min 490 US gpm	<b>377</b> bar 5466 psi	<b>406</b> bar 5887 psi	<b>435</b> bar 6307 psi	<b>464</b> bar 6727 psi	<b>493</b> bar 7148 psi	<b>522</b> bar 7568 psi	544 7881	75
<b>2119</b> L/min 558 US gpm	<b>331</b> bar 4804 psi	<b>357</b> bar 5174 psi	<b>382</b> bar 5543 psi	<b>408</b> bar 5913 psi	<b>433</b> bar 6282 psi	<b>459</b> bar 6652 psi	478 6927	80
<b>2682</b> L/min 706 US gpm	<b>262</b> bar 3796 psi	<b>282</b> bar 4088 psi	<b>302</b> bar 4380 psi	<b>322</b> bar 4672 psi	<b>342</b> bar 4964 psi	<b>362</b> bar 5256 psi	377 5473	90
<b>3311</b> L/min 871 US gpm	<b>212</b> bar 3075 psi	<b>228</b> bar 3311 psi	<b>245</b> bar 3548 psi	<b>261</b> bar 3784 psi	<b>277</b> bar 4021 psi	<b>294</b> bar 4257 psi	306 4433	100

Selection of 4 pump heads with different pressure ratings

Highest pressure related to kW and Flow (Volumetric efficiency is taken into consideration)

Other Flow & Pressure ratings are available on request





All HERMETIK pumps are suitable for the copper industry

## INSPECTION AND SERVICE

Inspection check and forced lubrication systems are fully automated. Let us care about your new high-pressure pumps. You can go about your day-to-day business with reassurance and confidence.

“ Long service Intervalls - Low cost ”

### INSPECTION CHECK:

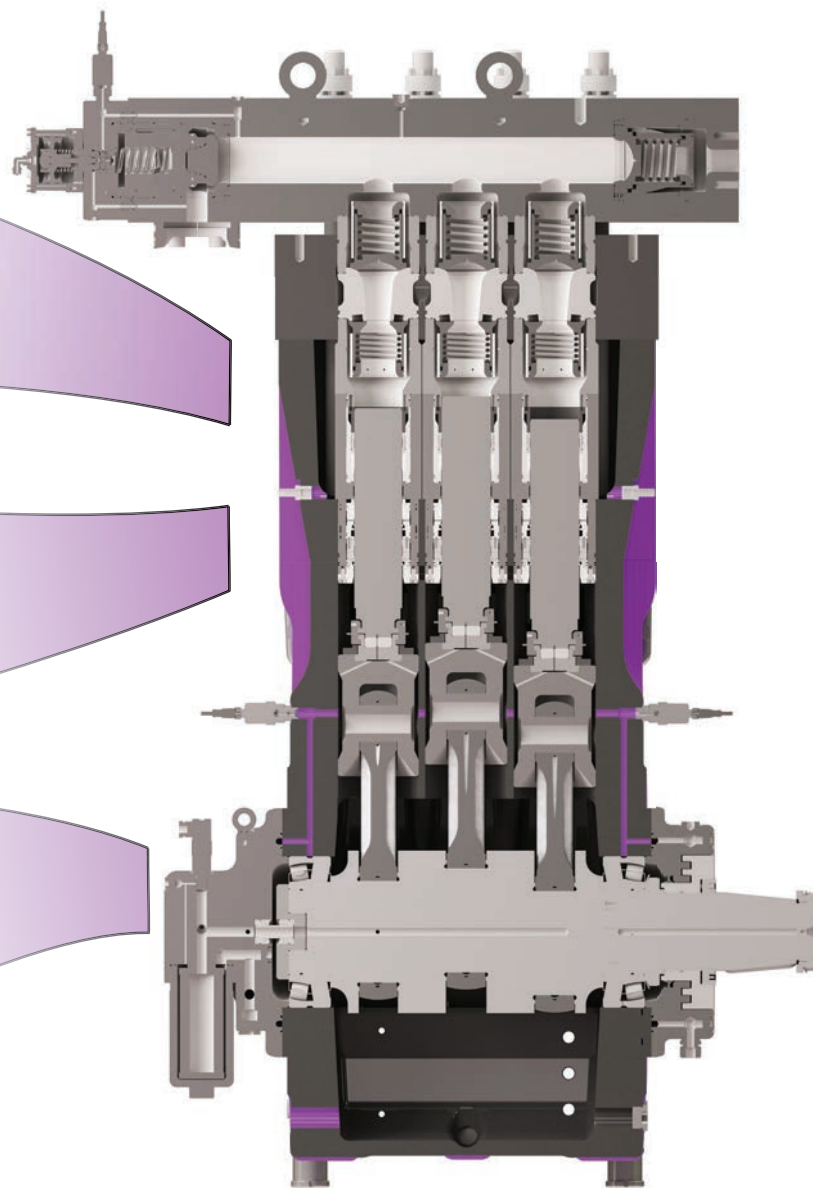
- Suction- & pressure valve condition
- Working- & Displacement-pressure
- Supply water pressure
- HP-seal condition
- Volumetric efficiency

### FORCED LUBRICATION SYSTEM 2

- (FLS 2)
- Plunger-cooling-level
- Plunger-cooling-temperature

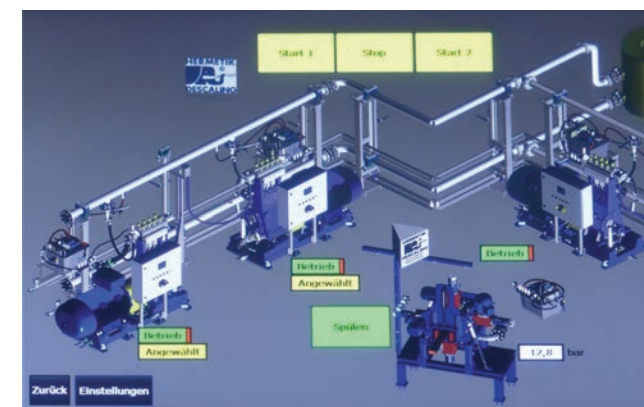
### FORCED LUBRICATION SYSTEM 1

- (FLS 1)
- Lubricant-pressure
- Lubricant-level
- Lubricant-temperature
- Lubricant-filter-contamination



“ Stay informed ”

reliable and relevant information is supplied completely and promptly via satellite to our maintenance department



HERMETIK digital monitoring for high-pressure pumps

The new HERMETIK JET JUMBO High Pressure Plunger Pump series for water is an excellent example of important advances in HERMETIK unrivaled technology application.

For example, a modern, fully digital monitoring-oriented information on process displays, phones, laptops and IBA systems for the operator are among the innovations of this high-pressure water pump series





All HERMETIK pumps are suitable for the automotive industry

## HIGH-PRESSURE PUMP

The strong, compact design, which can only be realized with a revolutionary technology, results in a light and stiff water pump unit. To improve the weight distribution and the snapshot, the high-pressure pump is fully anchored and ensures a vibration-free run.

The internal pressure lubrication supplies all bearings on the crankshaft, the treads and bolts of the crossheads and even the plunger attachment is hydrostatic mounted and lubricated under pressure.

The high-pressure pump is divided into two sections, the crankcase and the pump head. The water side has two barrier media that prevent water leakage and lead into a separate electronically controlled system. The high-pressure head with plunger and valves is quick and easy to disassemble and can be replaced with an exchange high pressure head.

## HIGH-PRESSURE PUMP - PARTS

The HERMETIK High-pressure-pump consists of two main parts:

1. The Crankcase
2. The Pump-Head

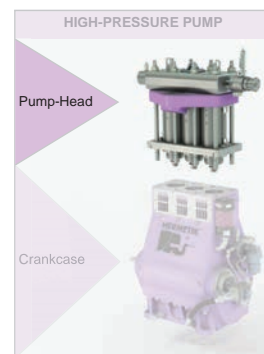
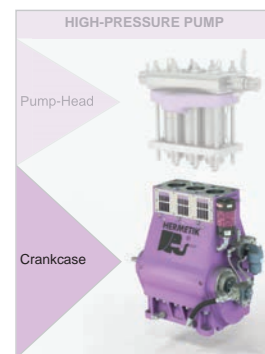
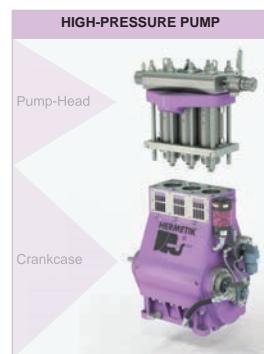
On the following pages, this sign shows you where to find informations for specific parts. The arrow is pointing at the part with the focus, the other part is shown inactive (grayed out). For example:

Focus on: High-pressure pump

Crankcase

Pump-Head

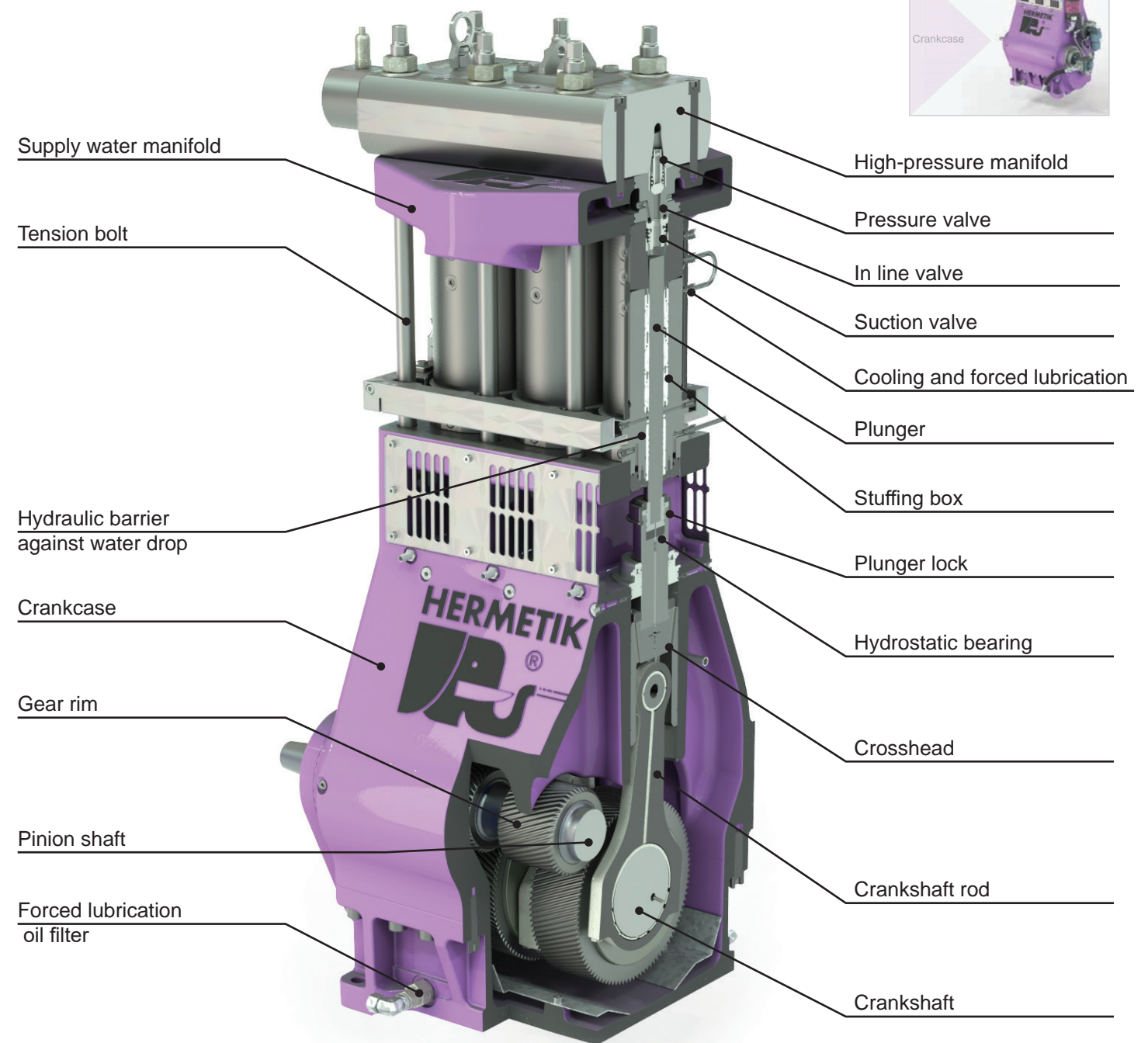
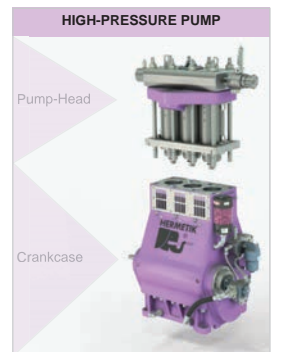
Sign:



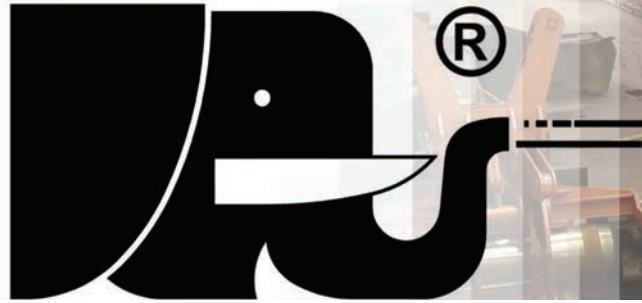
“ The pump for non-stop operating time ”

## HIGH-PRESSURE PUMP - SECTION

Explore the secrets of our long-life high-pressure pumps. Below you see a full section from the crankshaft to the high-pressure manifold.







All HERMETIK pumps are suitable for the steel industry

## THE GEAR BOX AND THE CRANKCASE

The new gear box is designed to work perfectly for a long time. The Crankcase, pinion shaft, crankshaft and related components are sufficiently dimensioned to be very durable even under high load. The Crankcase with its high wall thickness can easily deal with huge forces. It is made of cast iron to absorb the vibrations of the pump. The heavy duty bearings of the crankshaft and the pinion shaft are designed to withstand runout and vibrations. The helical gear wheels ensure smooth running and low vibration.

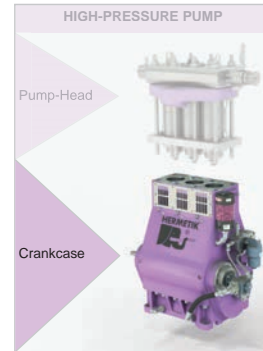
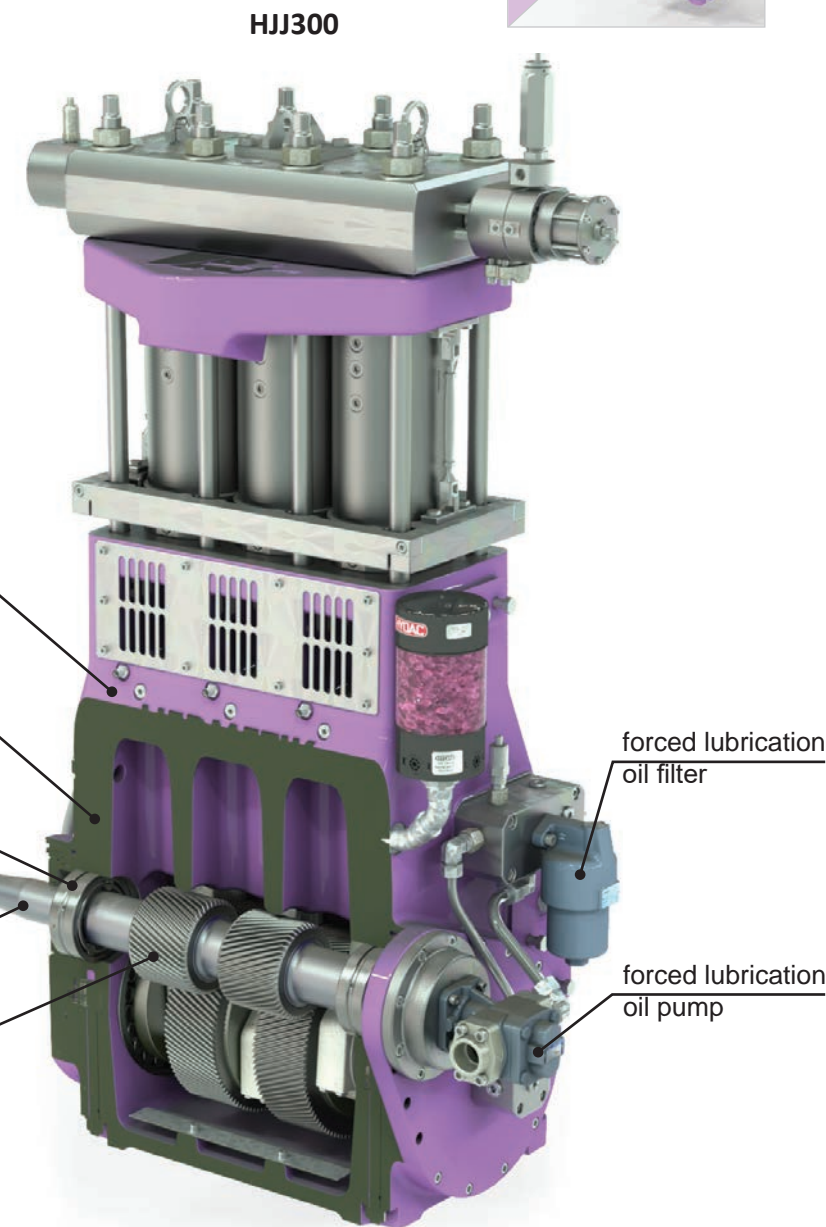
Heavy duty Crankcase with high strength BASF surface treatment, chemical resistant

High wall thickness with reinforcements

Heavy duty bearings

Pinion shaft

Helical gear wheels



“There is no weakness in this system”

Heavy duty Crankcase with high strength BASF surface treatment, chemical resistant

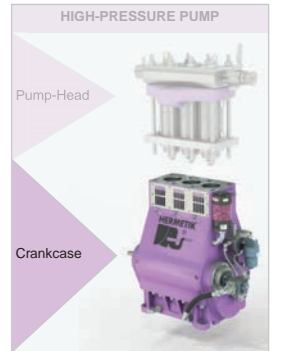
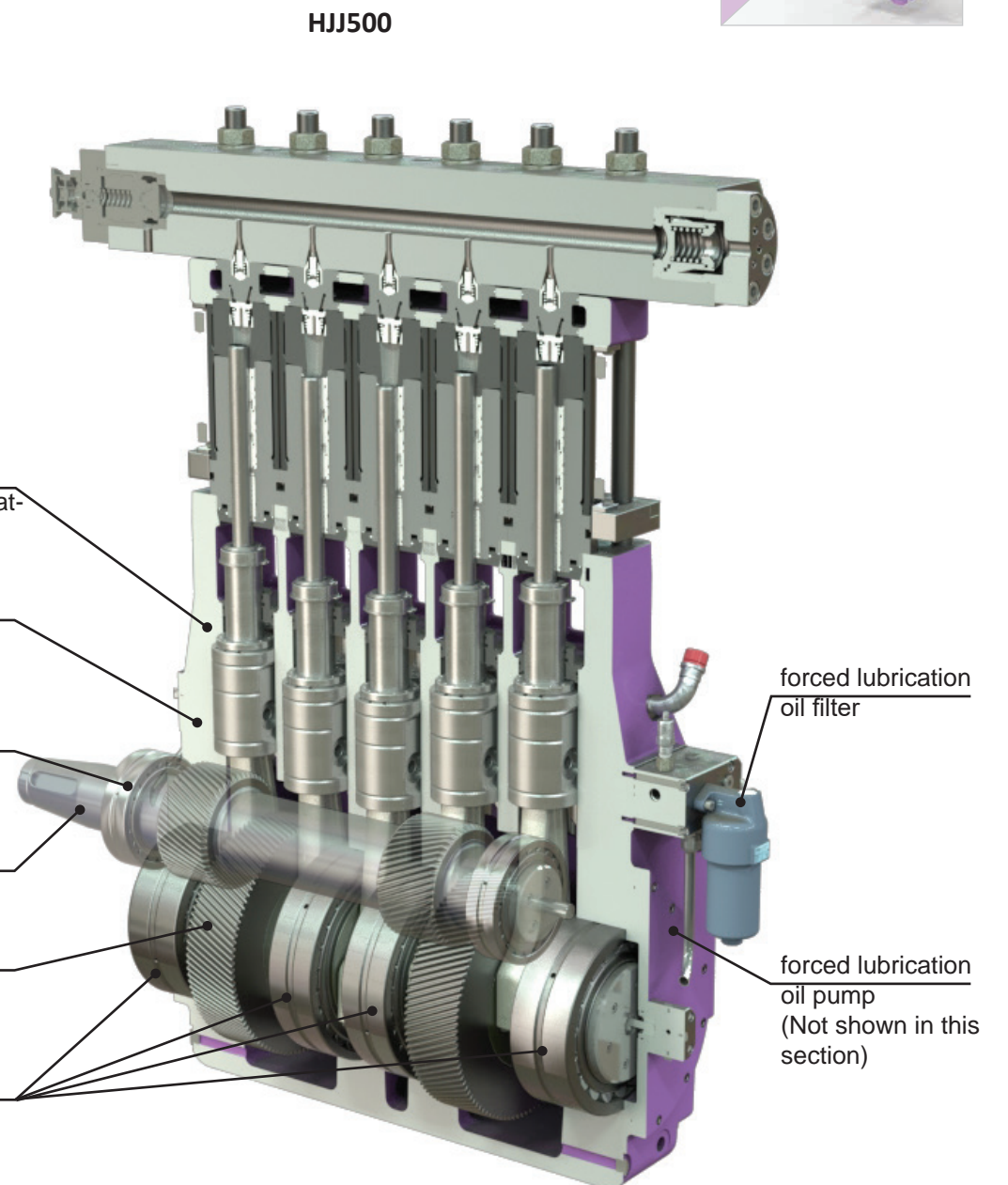
High wall thickness with reinforcements

Heavy duty bearings

Pinion shaft

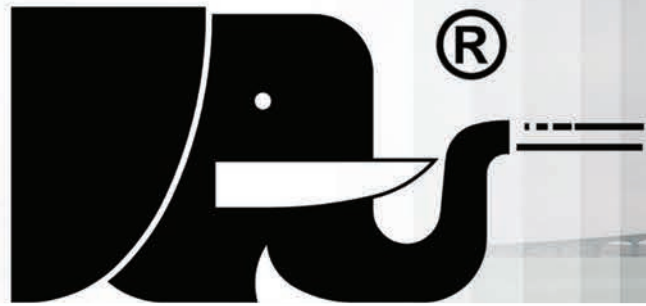
Helical gear wheels

4 x heavy duty spherical roller bearing



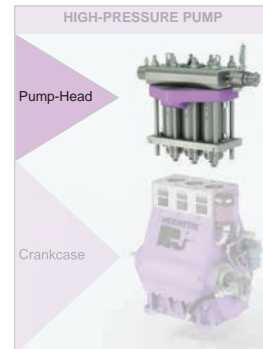
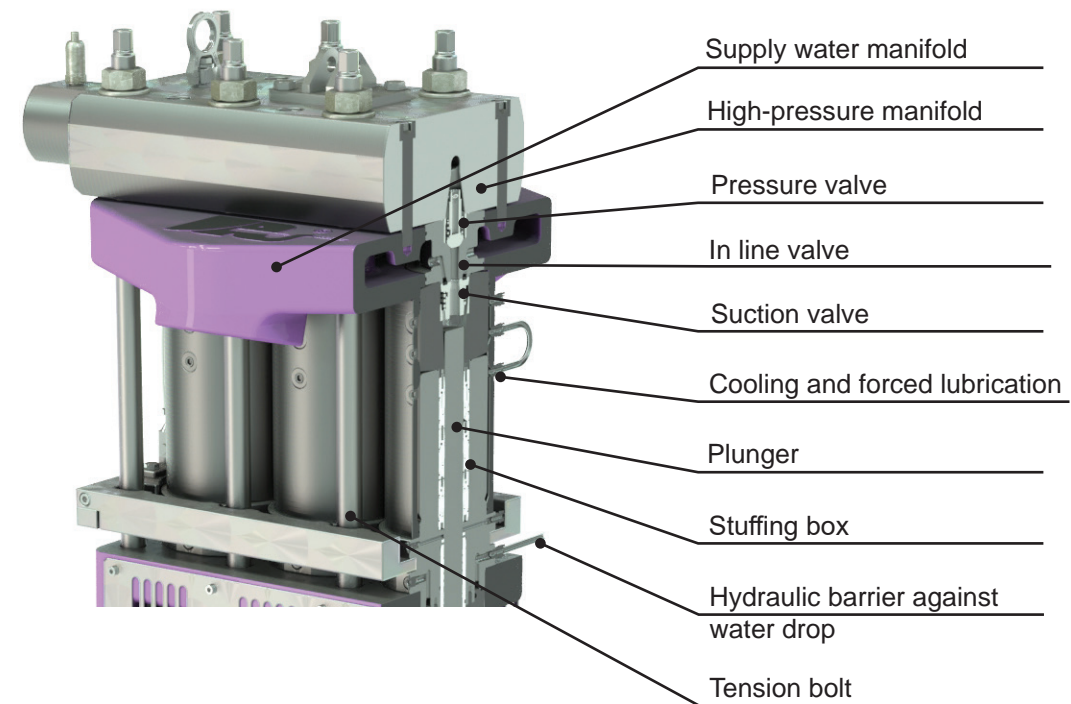
“A very sturdy design”





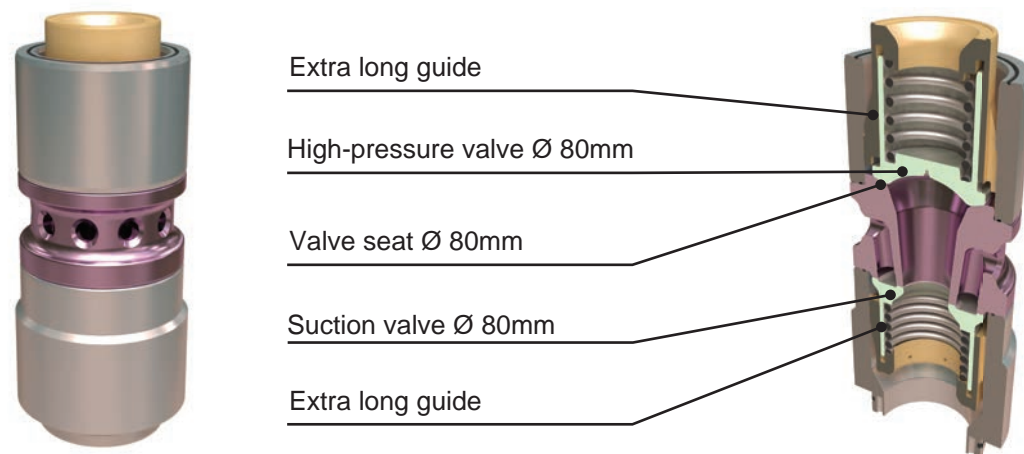
All HERMETIK pumps are suitable for concrete removal

## THE PUMP-HEAD



## IN LINE VALVE - SECTION

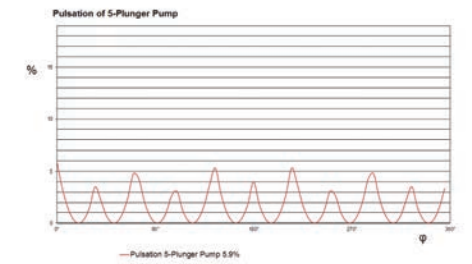
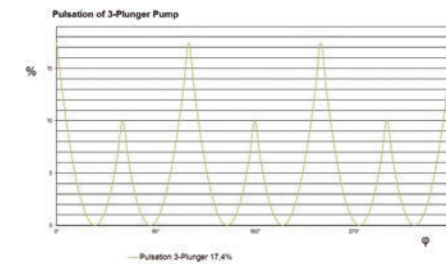
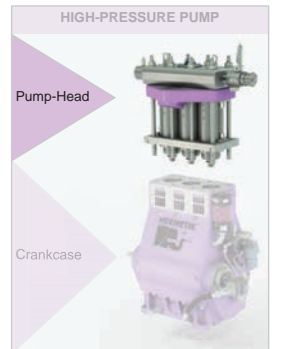
below you see a detailed view on the in line valve



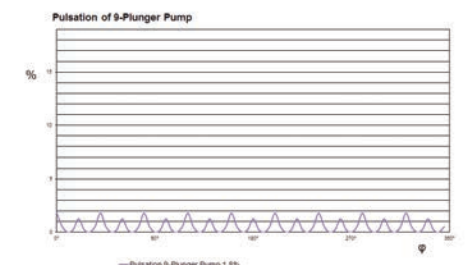
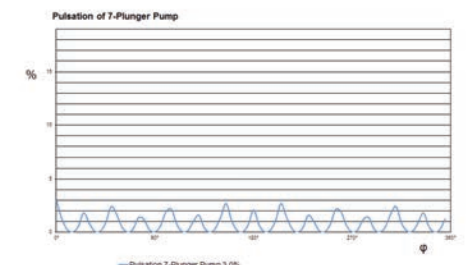
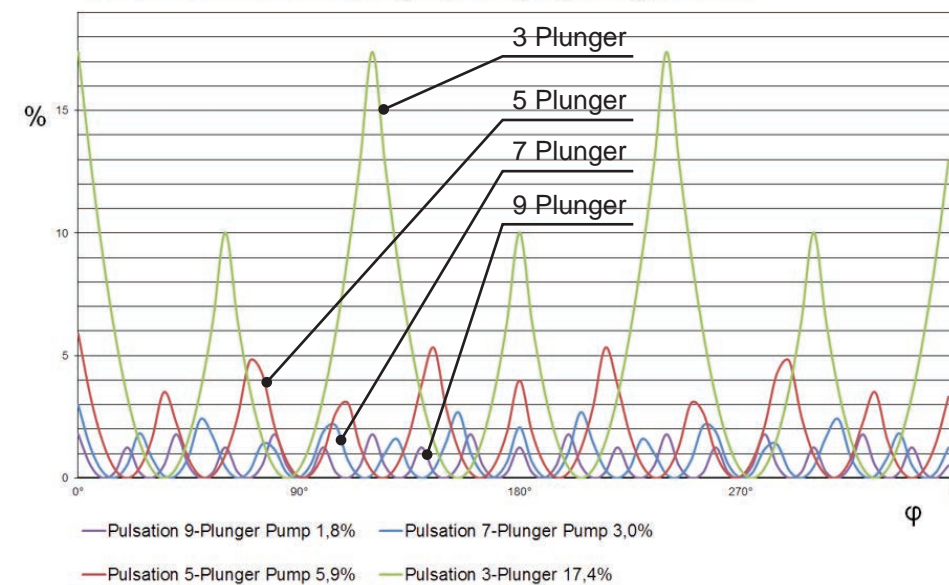
## THE PULSATION IN THE HIGH-PRESSURE-WATER-DELIVERY-SYSTEM

Due to the design of the pump and the fully developed valve technology the pulsation can be kept at a very low level. Thanks to the low level pulsation there is no need for an Accumulator and the pump is extremely smooth running. Optional Hermetik provides the program for reduction of the high pressure peaks in the water delivery system. With the new engineered lubrication system, the low pulsation degrees to an Absolut minimum

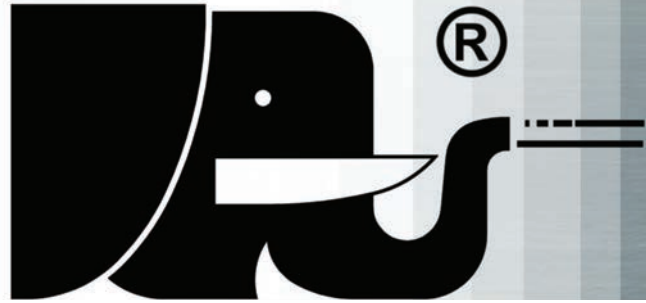
Following, you see Examples of the pulsation-gradient per revolution for different Pumps.



Comparison of different plunger quantity regarding pulsation



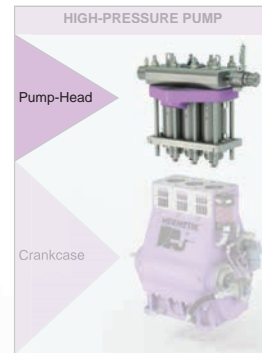
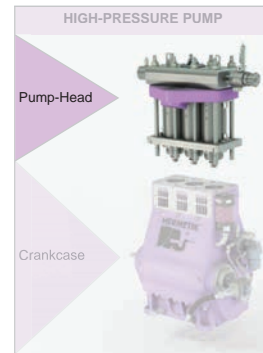




All HERMETIK pumps are suitable for the offshore-industry

## THE CHANGE OF THE PUMP HEAD

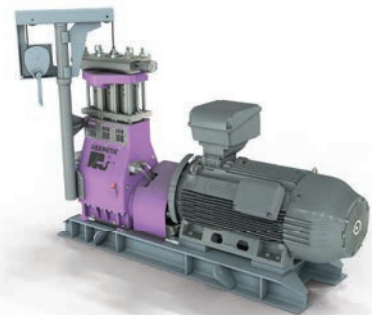
The replaceable pump head is disassembled very quickly with the integrated crane and the pump-head rack. You can easily change to other pump-heads with different pressure- and flow-ratings without the need to replace the whole high-pressure pump-unit.



“ We changed the pump-head in less than 1 hour ”

### Step 01

loose the tension bolts



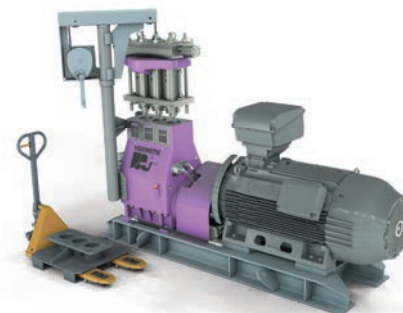
### Step 02

Positioning the pump-head-rack with the pallet truck nearby the high-pressure pump



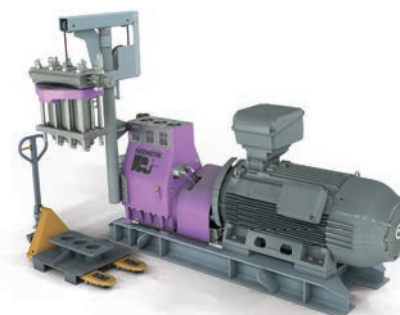
### Step 03

Lift the pump-head up



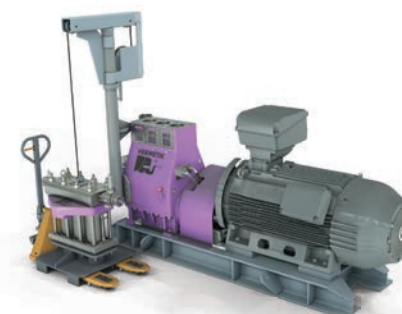
### Step 04

Pan the crane sideways to the pump-head rack



### Step 05

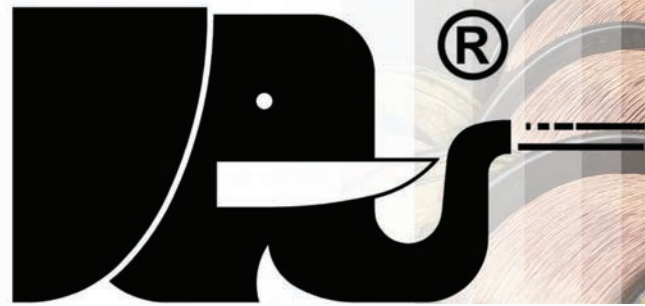
Set down the pump-head on the rack



Replaceable pump-head

“ Easy, low-cost maintenance ”





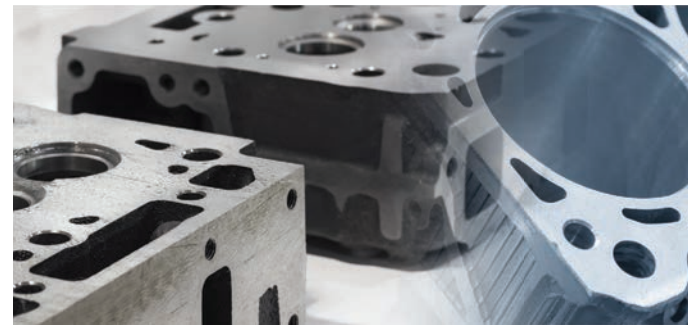
## HERMETIK high-pressure water technology in various industry sectors

HERMETIK high-pressure pumps, high-pressure descalers and high-pressure valves can be used in many industry sectors. The main industry sectors are shown on this page. If your industry is not shown here, please contact us, we will be more than happy to find the most suitable solution for your demands.



### Steel industry

HERMETIK high-pressure pumps and high-pressure descalers remove oxide-layers on all steel grades. No matter what kind of geometry your rolled material has, we can clean every kind of billet, bar or slab. We have a broad experience in every kind of steel mill from hot rolling mills to ring forging mills



### Automotive industry

HERMETIK high-pressure pumps and high-pressure descalers are the perfect solution for deburring cylinder heads.



### Maritime industry

Ship-hull cleaning with HERMETIK high-pressure pumps. Pumps that deliver ultra-high pressure with no downtime. Call us for more information



### Concrete removal

Easy concrete removal with powerful HERMETIK High-pressure pumps



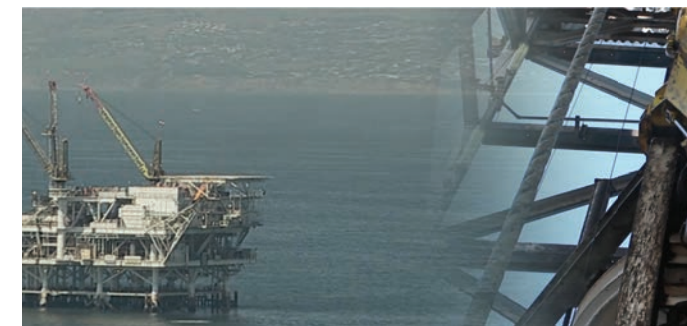
### Copper Industry

Upgrade your production with HERMETIK technology for high-quality copper wire with no rolled in oxides. Perfect copper wire with high-pressure pumps and descalers from HERMETIK



### Aluminium Industry

Take your Aluminium production to the next level with High-pressure pumps and descalers from HERMETIK



### Offshore industry

Pipe cleaning with high-pressure water delivered by reliable HERMETIK high-pressure pumps.



### Industrial cleaning

Our pumps deliver high-pressure water for all kinds of cleaning works.





“HERMETIK forever”

#### HEAD OFFICE

Hermetik Hydraulik AB  
Skärsvägen 4  
182 61 Djursholm  
SWEDEN  
CEO Jürgen Gaydoul  
Tel: +46 70 323 1060  
Mail: info@hermetik.com

#### PRODUCTION

Hermetik Pump Int. GmbH  
Wullener Feld 61  
58454 Witten  
Germany  
CEO Jürgen Gaydoul  
Tel.: +49 2302 39454-0  
Mail: info@hermetikpump.de

Selected references:

The logo for SIEMENS, consisting of the word "SIEMENS" in a bold, teal, sans-serif font.

The logo for DANIELI, featuring a stylized star or 'D' shape in blue and red to the left of the word "DANIELI" in a bold, black, sans-serif font.



ArcelorMittal

The logo for SMS group, featuring the text "SMS" in white on a black background, followed by a red and blue target symbol, and the word "group" in white on a black background.

The logo for SANDVIK, consisting of the word "SANDVIK" in a bold, blue, sans-serif font inside a blue rectangular box with a white border.

The logo for thyssenkrupp, featuring a white graphic of three interlocking circles on a blue square background, with the word "thyssenkrupp" in white below it.

The logo for PRIMETALS TECHNOLOGIES, featuring an orange circular graphic on the left and the text "PRIMETALS" in a bold, black, sans-serif font above "TECHNOLOGIES" in a smaller, black, sans-serif font.

The logo for outokumpu, featuring the word "outokumpu" in a blue, sans-serif font next to a silver, metallic-looking circular graphic.